



Features

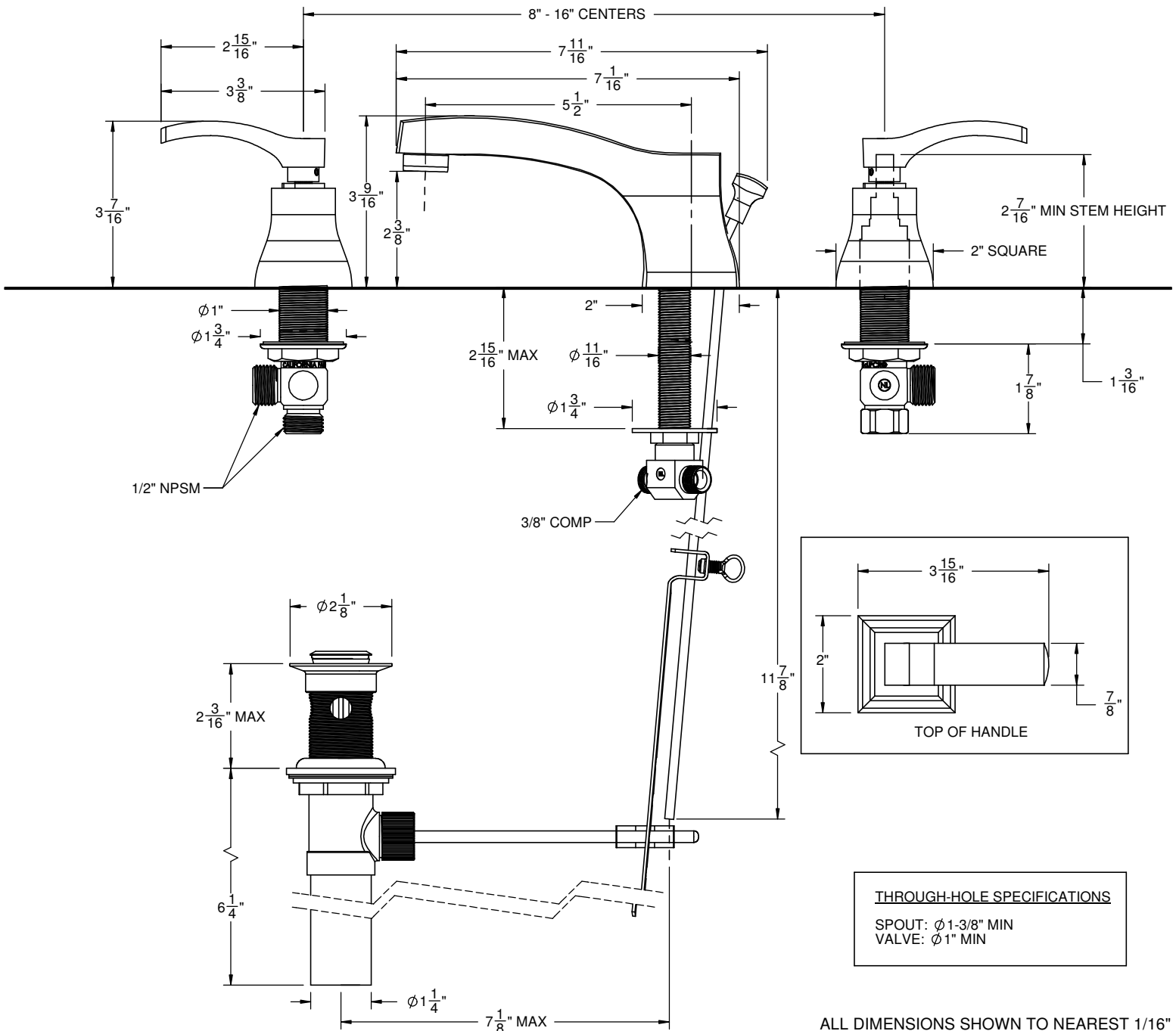
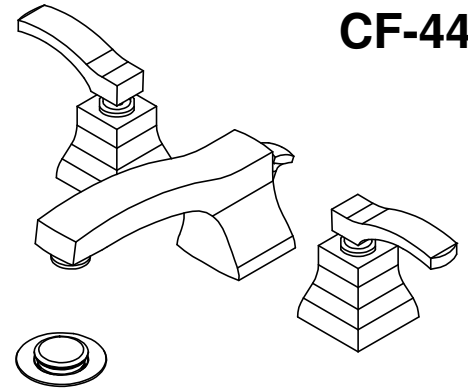
- Over 30 finishes including 14 PVD finishes
- Solid brass construction
- 1/4 turn ceramic disc valves
- Flexible connections for easy installation
- 5-1/2" spout reach
- 1.5 gallon (5.8 L) per minute maximum flow rate
- For additional product offerings, see www.calfaucets.com

Codes/Standards Applicable

Meets or exceeds the following at date of manufacture:

- ASME A112.18.1-2005/CSA B125.1-05
- NSF 61 and CA/VT lead plumbing law
- ADA

CF-4402



ALL DIMENSIONS SHOWN TO NEAREST 1/16"