



California Faucets®

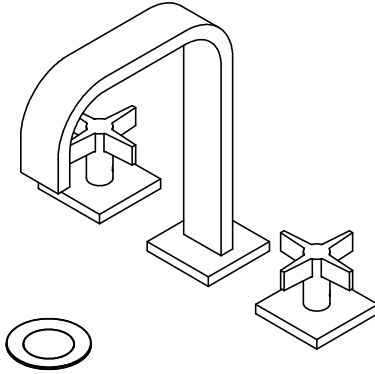
Aliso™

WIDESPREAD LAVATORY FAUCET

CF-7202

Features

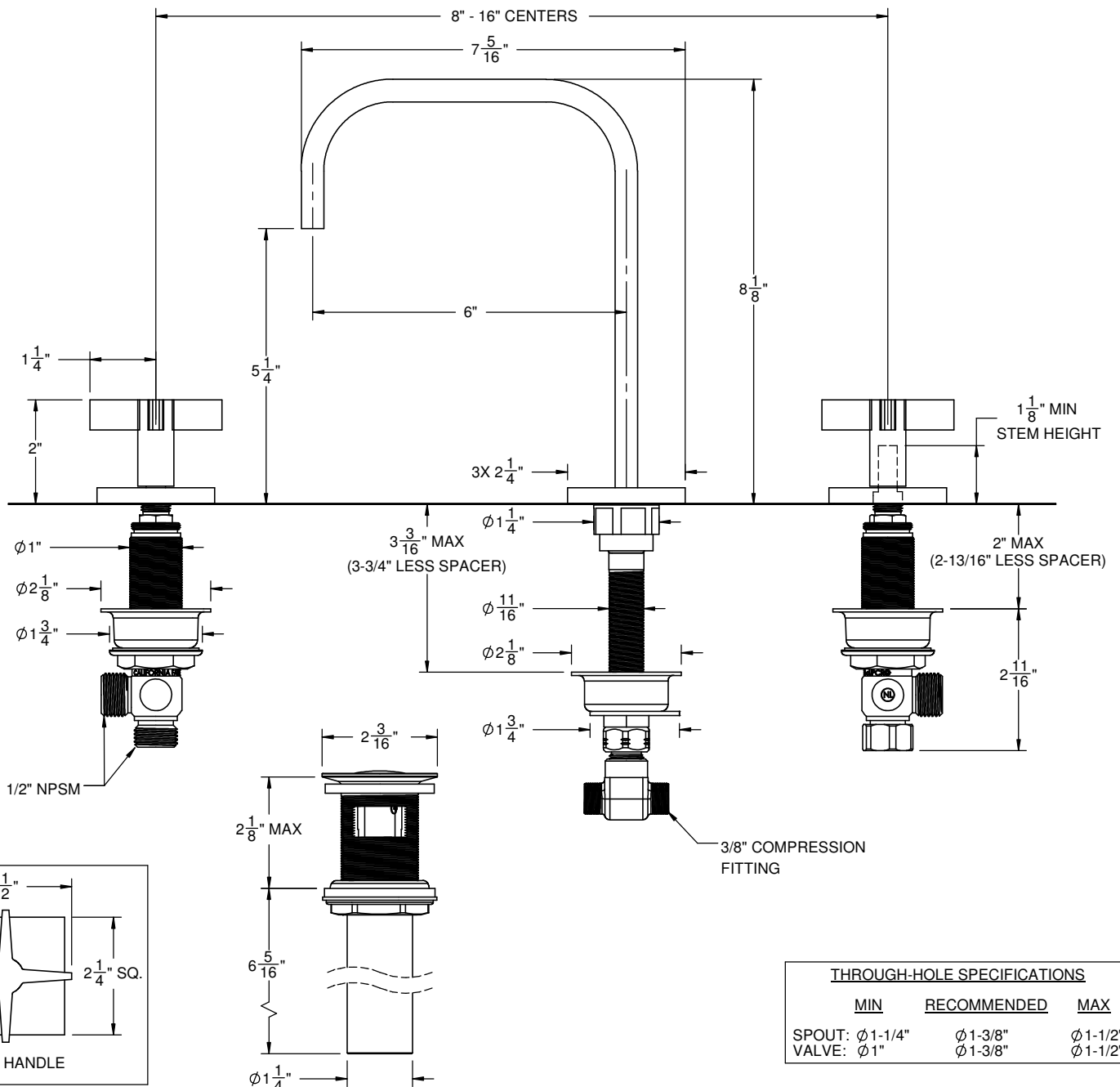
- 6" spout center to center
- 1/4 turn ceramic disc cartridge(s)
- Flexible braided hoses for ease of installation
- $\phi$  1-1/4" all brass touch style pop up drain assembly
- 1.2 gpm (4.5 L/min) max flow rate
- Solid brass construction
- Over 30 finishes including 15 PVD finishes



Codes/Standards

Product meets or exceeds the following:

- ASME A112.18.1/CSA B125.1
- NSF/ANSI 61 & NSF/ANSI 372
- CEC



ALL DIMENSIONS SHOWN TO NEAREST 1/16"