

## CF-7702R & CF-7802R Widespread Lavatory Faucet Installation Instructions

**CALIFORNIA FAUCETS RECOMMENDS THAT ALL PLUMBING PRODUCTS BE INSTALLED BY A LICENSED PROFESSIONAL**

**IMPORTANT: Read all instructions prior to installation and provide copy of instructions to consumer.**

**Operating Specifications:**

Recommended Supply Pressure: 20 to 70 psi\*\*

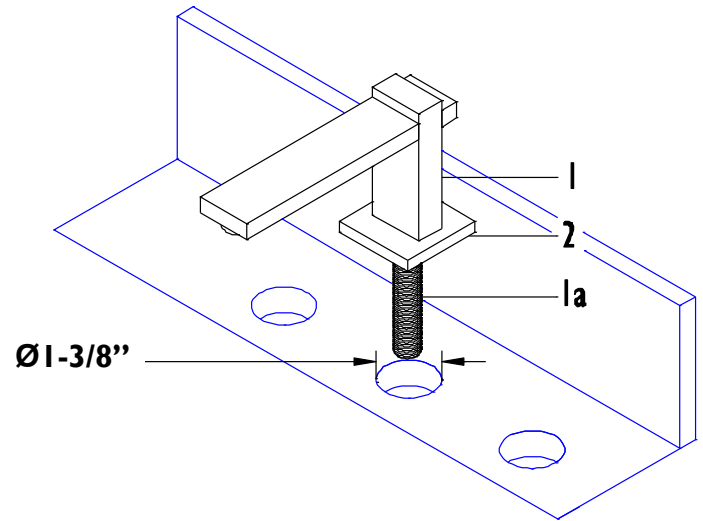
Maximum Flow Rate: 1.2 gpm

\* Operating pressures between hot and cold supplies should vary no more than 30 psi.

† If water pressure exceeds 70 psi, install a Pressure-Reducing Valve (RPV).

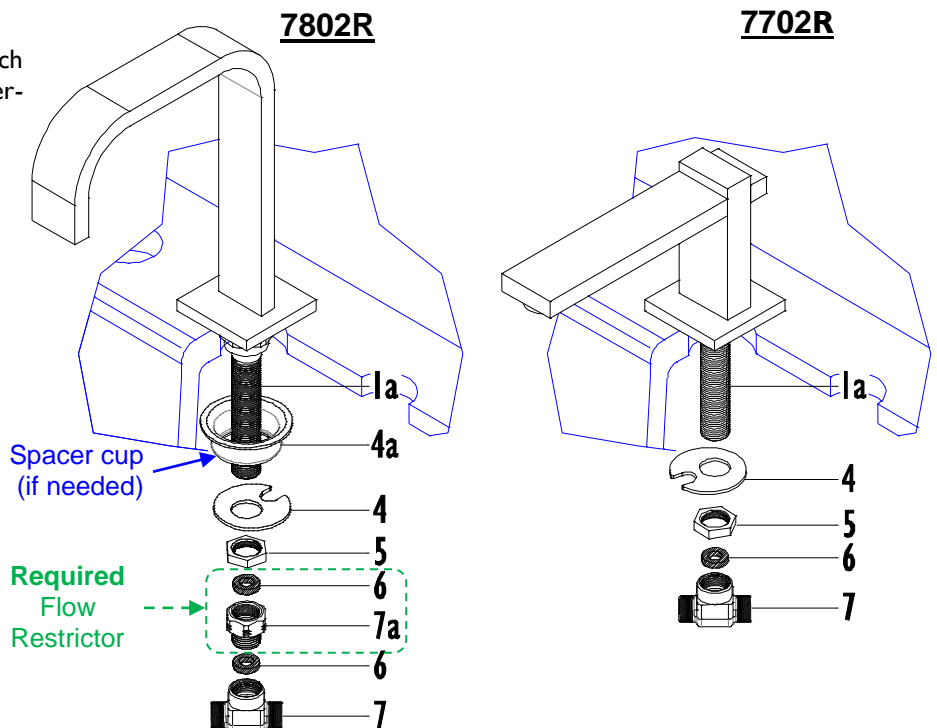
### I INSTALLING SPOUT TO SINK/DECK

- Sink/Deck recommended hole size shall be  $\text{Ø}1\text{-}3/8\text{'}$
- Apply thin film of Silicon® sealant (or equivalent – DO NOT use petroleum-based sealant as this WILL void finish warranty) to underside of BASE (2)
- Insert spout SHANK (1a) through sink/deck hole
- From underside, place SLOTTED WASHER (4) onto spout SHANK (1a) and tighten SPOUT (1) into place with NUT (5)



**IMPORTANT:** 7802R Series requires the following:

- Spacer CUP (4a) between underside of sink/deck and SLOTTED WASHER (4)
- Installation of flow RESTRICTOR (7a) and RUBBER WASHER (6) between spout SHANK (1a) and TEE (7)
- Insert RUBBER WASHER (6) into TEE (7) & attach to SHANK (1a). Tighten TEE (7) to create water-tight seal & position to allow attachment of hoses



## 2

### INSTALLING VALVE

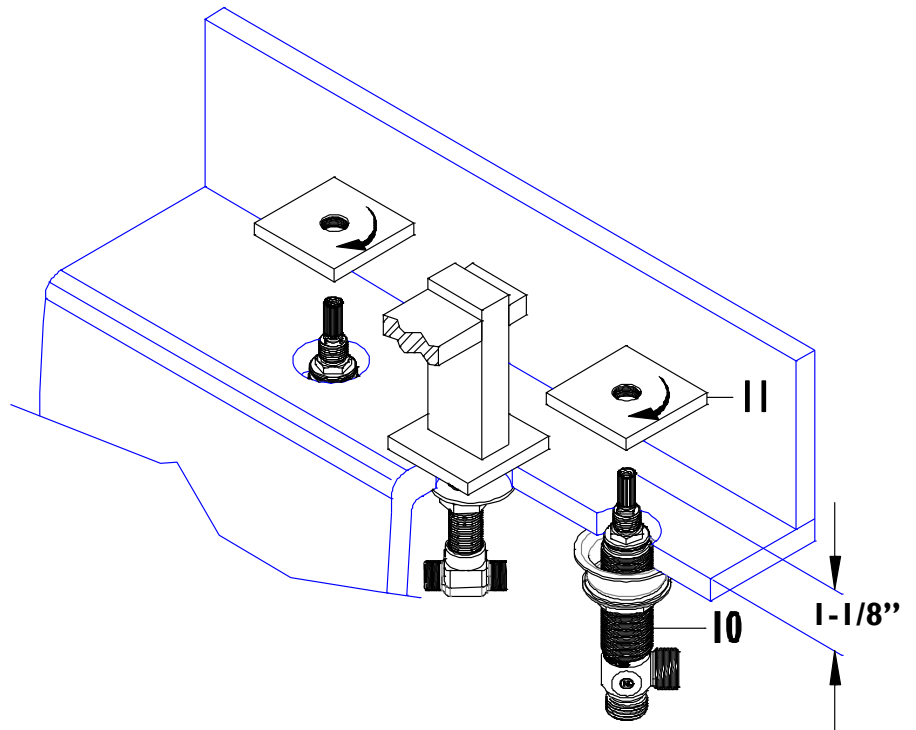
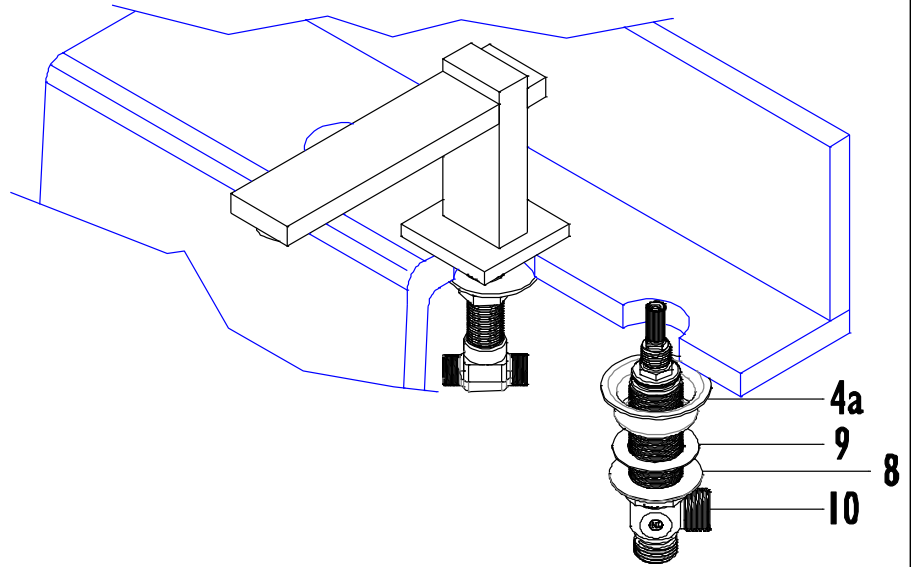
- From underneath insert VALVE (10) through appropriate sink/deck hole

**IMPORTANT:** VALVES (10) are labeled as follows:

**BLUE** is **COLD** left turning (counter-clockwise) closed

**RED** is **HOT** right-turning (clockwise) closed

- Position flange NUT (8), WASHER (9) and spacer CUP (4a) so that VALVE (10) extends 1-1/8" above sink/deck surface
- Place ESCUTCHEON (11) onto VALVE (10)
- Secure ESCUTCHEON (11) onto sink/deck

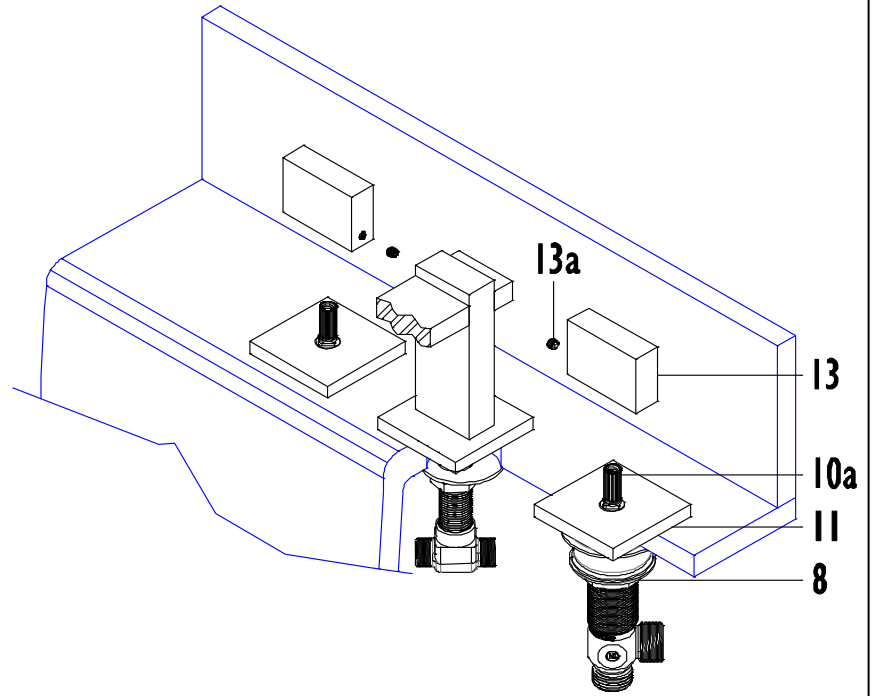


### 3 INSTALLING HANDLE

- Loosen SETSCREW (13a) from HANDLE (13)
- Slide HANDLE (13) down onto and engage valve STEM (10a)
- Tighten SETSCREW (13a) and rotate HANDLE (13) to check operation, open position is when HANDLE (13) is rotated forward

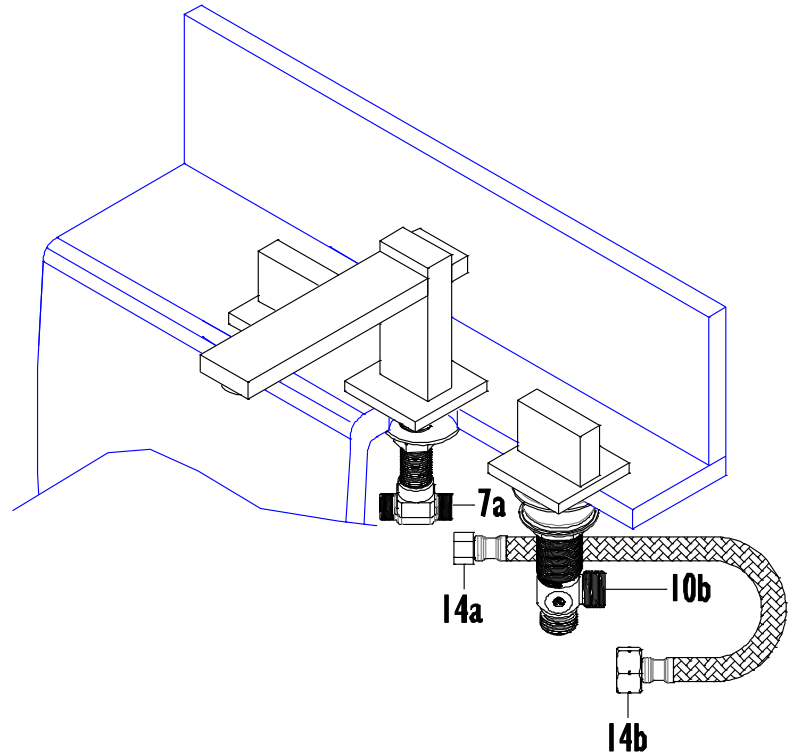
To obtain proper alignment it may be necessary to rotate VALVE (10) so that HANDLE (13) is aligned with SPOUT (1). This may be achieved as follows:

- Slightly loosen NUT (8)
- With HANDLE (13) on valve STEM (10a)
- Rotate VALVE (10) in proper direction to achieve proper alignment of HANDLE (13)
- While firmly holding VALVE (10) in position securely tighten NUT (8)



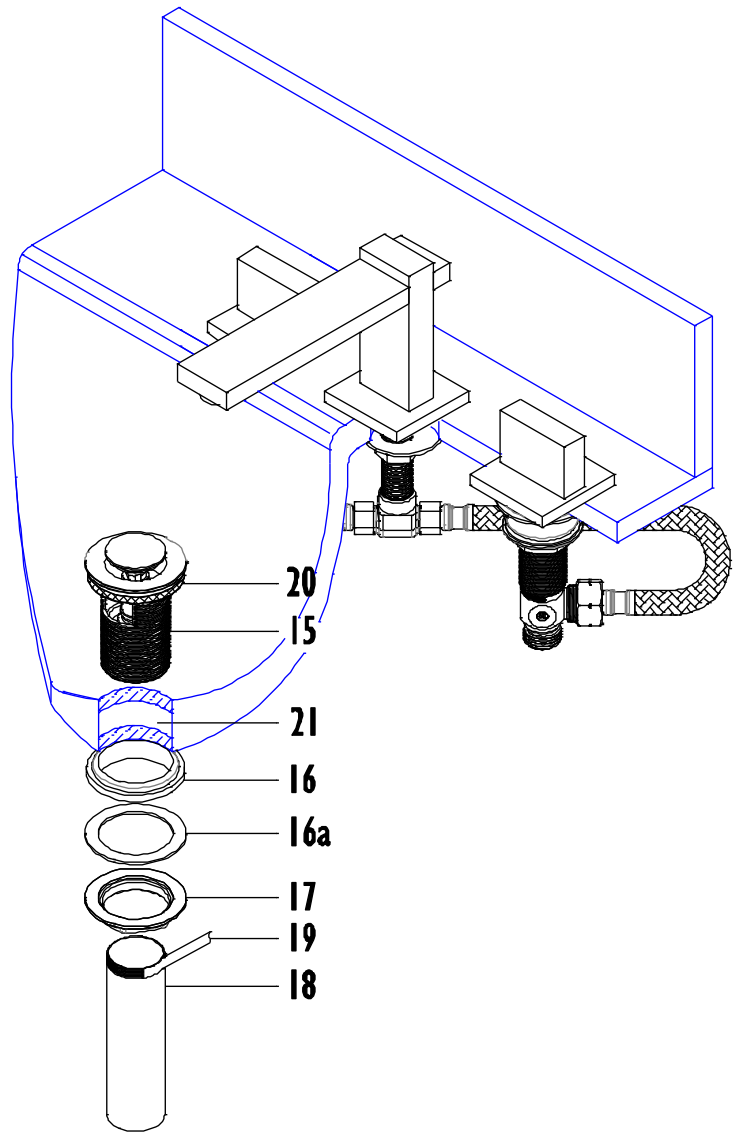
### 4 INSTALLING VALVE HOSES

- Attach small hose NUT (14a) to spout TEE (7a)
- Attach large hose NUT (14b) to valve side OUTLET (10b)
- Repeat on other side valve



## 5 INSTALLING DRAIN

- Slide white foam WASHER (20) up under flange of BODY (15)  
- or -
- Apply thin film of Silicon® sealant (or equivalent – DO NOT use petroleum-based sealant as this WILL void finish warranty) to underside of flange on BODY (15)
- Insert BODY (15) down through sink drain HOLE (21)
- From underside, slide MACH-WASHER (16) and FRICTION-WASHER (16a) up onto BODY (15)
- Secure BODY (15) into place with flange NUT (17)
- Apply Teflon® tape (19) (not supplied) to threaded portion of TAILPIECE (18) & tighten onto BODY (15)



## 6 INSTALLING SUPPLIES LINES

**IMPORTANT:** Prior to attachment, flush supply lines to remove debris that may cause damage or malfunction to valve cartridge.

The following are two styles of supply lines (not included) that may be installed to the valve bodies:

### Bullnose riser for exposed application

- Install BULLNOSE RISER (22a) using valve NUT (10d) to secure riser to valve INLET (10c)

### Flexible riser for non-exposed application

- Discard valve NUT (10d) & install FLEX RISER (22b) to valve INLET (10c)

### Final connections

- Attach drain tailpiece to p-trap (not supplied)
- Turn on water supply valves & check for leaks

