



California Faucets®

# Morro Bay™

## WIDESPREAD LAVATORY FAUCET

### CF-7702

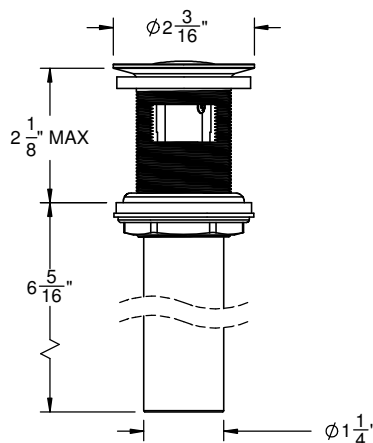
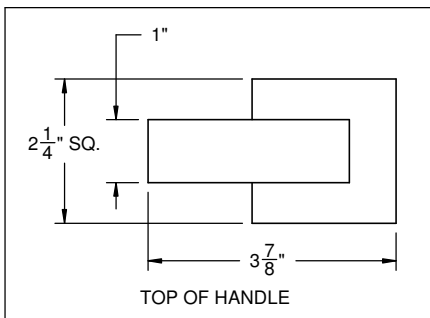
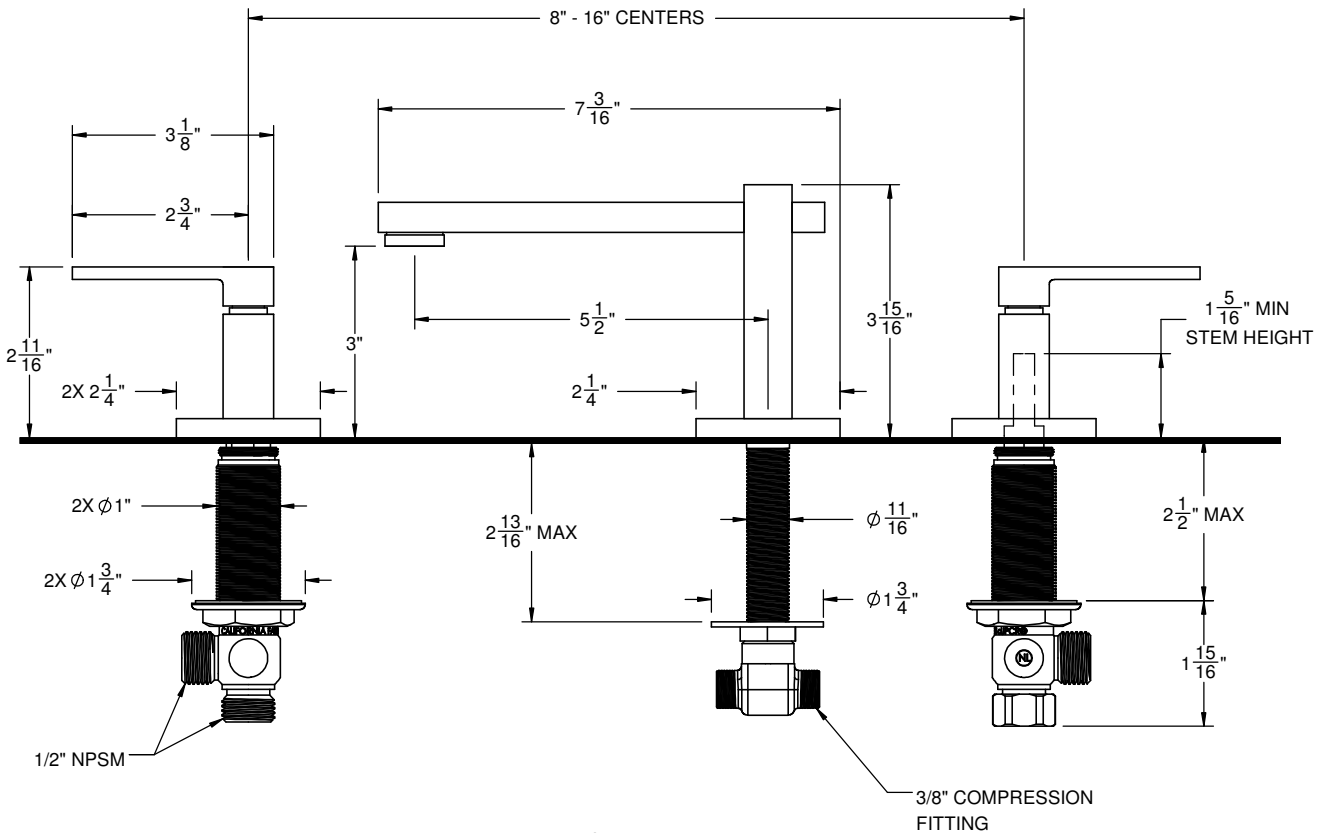
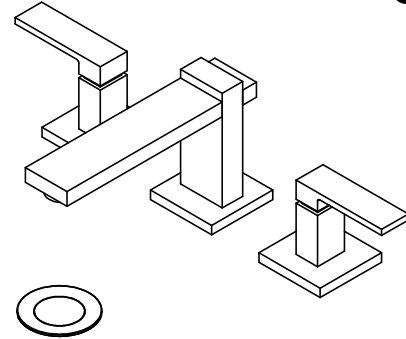
#### Features

- 5-1/2" spout center to center
- 1/4 turn ceramic disc cartridge(s)
- Flexible braided hoses for ease of installation
- $\phi$  1-1/4" all brass touch style pop up drain assembly
- 1.2 gpm (4.5 L/m) max flow rate
- Solid brass construction
- Over 30 finishes including 15 PVD finishes

#### Codes/Standards Applicable

Meets or exceeds the following at date of manufacture:

- ASME A112.18.1/CSA B125.1
- NSF/ANSI 61 & NSF/ANSI 372
- CEC
- ADA compliant



THROUGH-HOLE SPECIFICATIONS		
MIN	RECOMMENDED	MAX
SPOUT: $\phi$ 1-1/8"	$\phi$ 1-3/8"	$\phi$ 1-1/2"
VALVE: $\phi$ 1"	$\phi$ 1-3/8"	$\phi$ 1-1/2"

ALL DIMENSIONS SHOWN TO NEAREST 1/16"