

California Faucets®

Steampunk Bay™

SINGLE HOLE LAVATORY FAUCET

Features

- 1/4 turn ceramic disc mixing cartridge (off-cold-warm-hot)
- Flexible braided hoses for ease of installation
- Φ 1-1/4" all brass touch style pop up drain assembly
- 1.2 gpm (4.5 L/min) max flow rate
- All brass construction
- Over 30 finishes including 15 PVD finishes

CF-8509-1
CF-8509W-1
CF-8509B-1

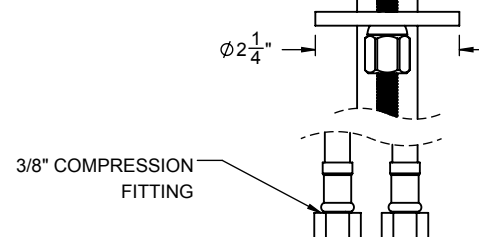
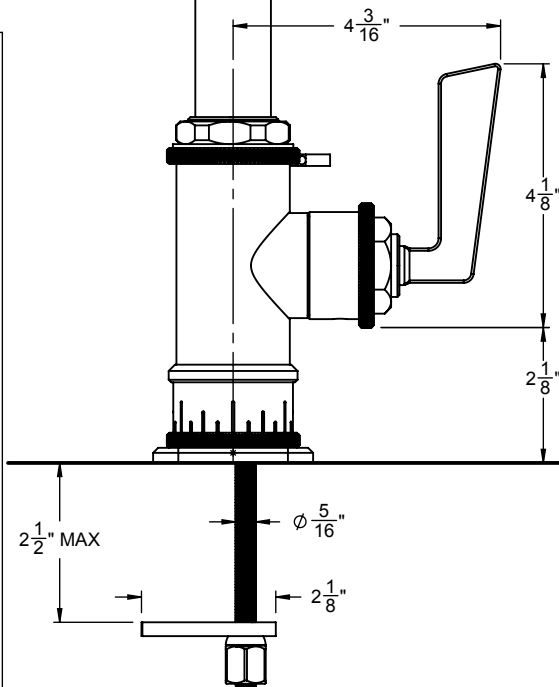
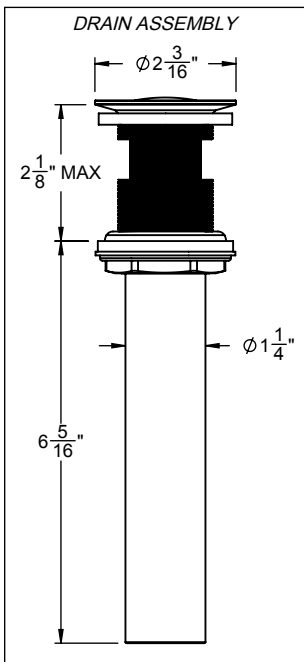
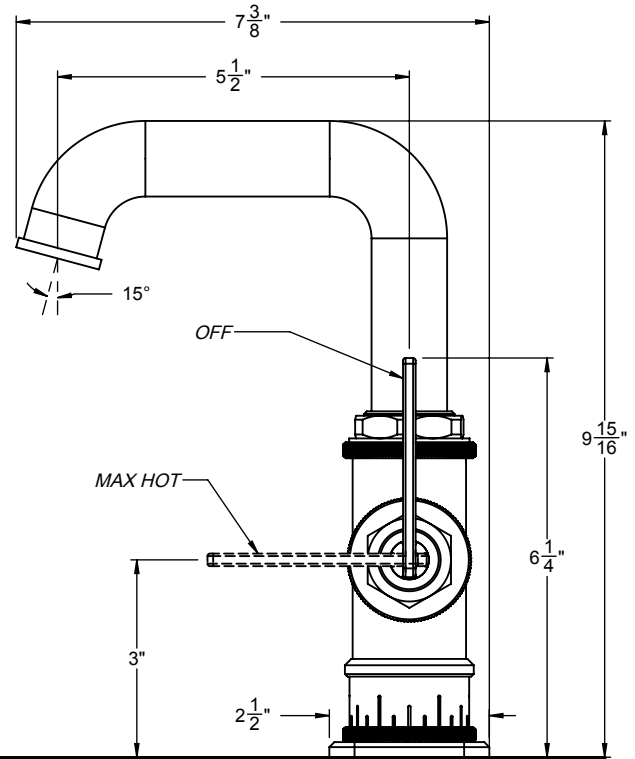
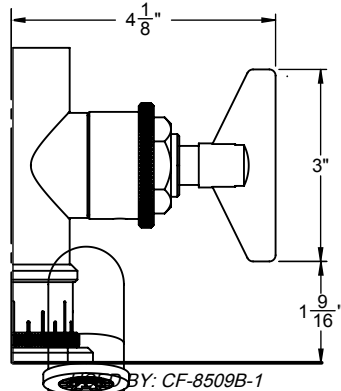
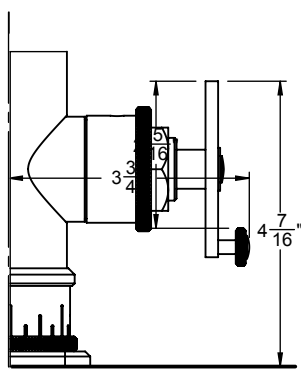


CF-8509-1 SHOWN

Codes/Standards Applicable

Product meets or exceeds the following:

- ASME A12.18.1/CSA B125.1
- NSF/ANSI 61 & NSF/ANSI 372
- CEC & DOE
- ADA compliant (lever handles only)



THROUGH-HOLE SPECIFICATIONS

MIN	RECOMMENDED	MAX
Φ 1-1/4"	Φ 1-3/8"	Φ 1-3/8"

SPECIFICATIONS SUBJECT TO CHANGE WITHOUT NOTICE

ALL DIMENSIONS SHOWN TO NEAREST 1/16"