



Features

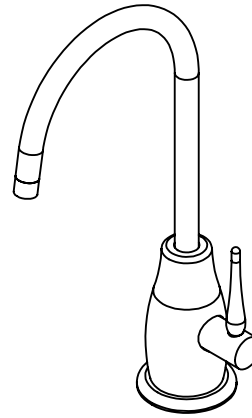
- Solid brass construction
- Fits most popular cold/filtered water units with 1/4" compression
- 360° rotating spout
- Maximum flow rate: 2.5 gpm (9.5 L/min);
flow rate may vary based on filter unit
- Ceramic disc cartridge
- Over 30 finishes including 15 PVD finishes

Codes/Standards Applicable

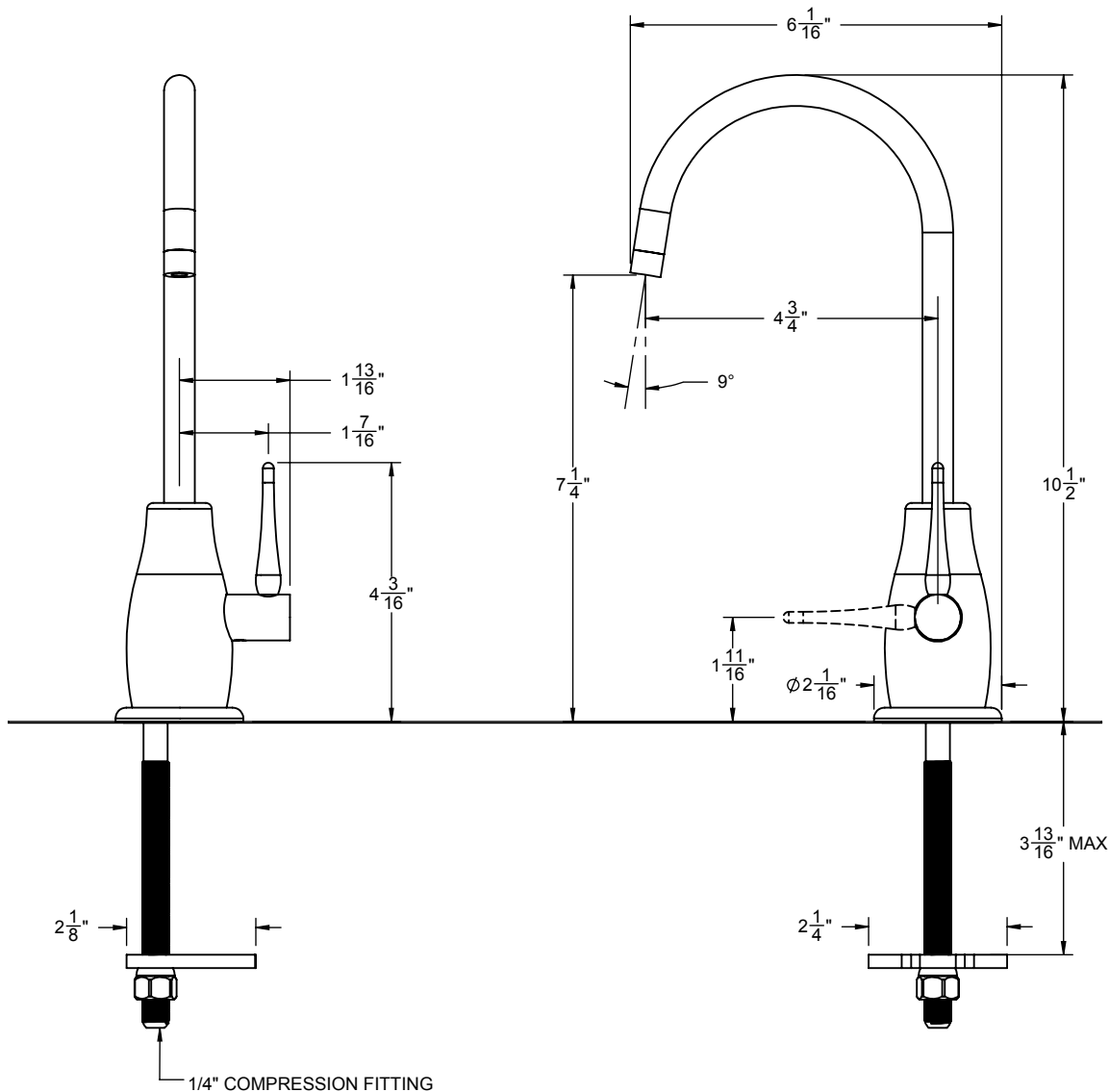
Meets or exceeds the following at date of manufacture:

- ASME A112.18.1/CSA B125.1
- NSF 61 and NSF 372

CF-9620-K80



THROUGH-HOLE SPECIFICATIONS		
MIN	RECOMENDED	MAX
Ø 1-1/4"	Ø 1-3/8"	Ø 1-1/2"



ALL DIMENSIONS SHOWN TO NEAREST 1/16"