



California Faucets®

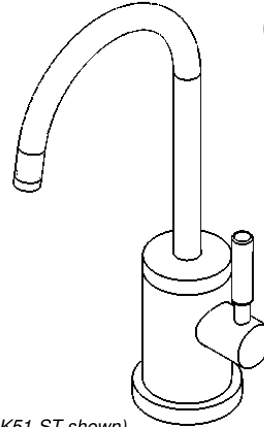
CONTEMPORARY SINGLE HANDLE COMBO WATER DISPENSER

KITCHEN

Features

- All brass construction
- Insulated body & spout to reduce heat to faucet
- Self-closing for hot water
- Max flow rate: 0.5 gpm (1.9 L/min); may vary based on hot water tank used
- Over 30 finishes including 15 PVD finishes
- Requires separate Hot Water Tank (9628SS)

CF-9623-K51-XX



(CF-9623-K51-ST shown)

Codes/Standards Applicable

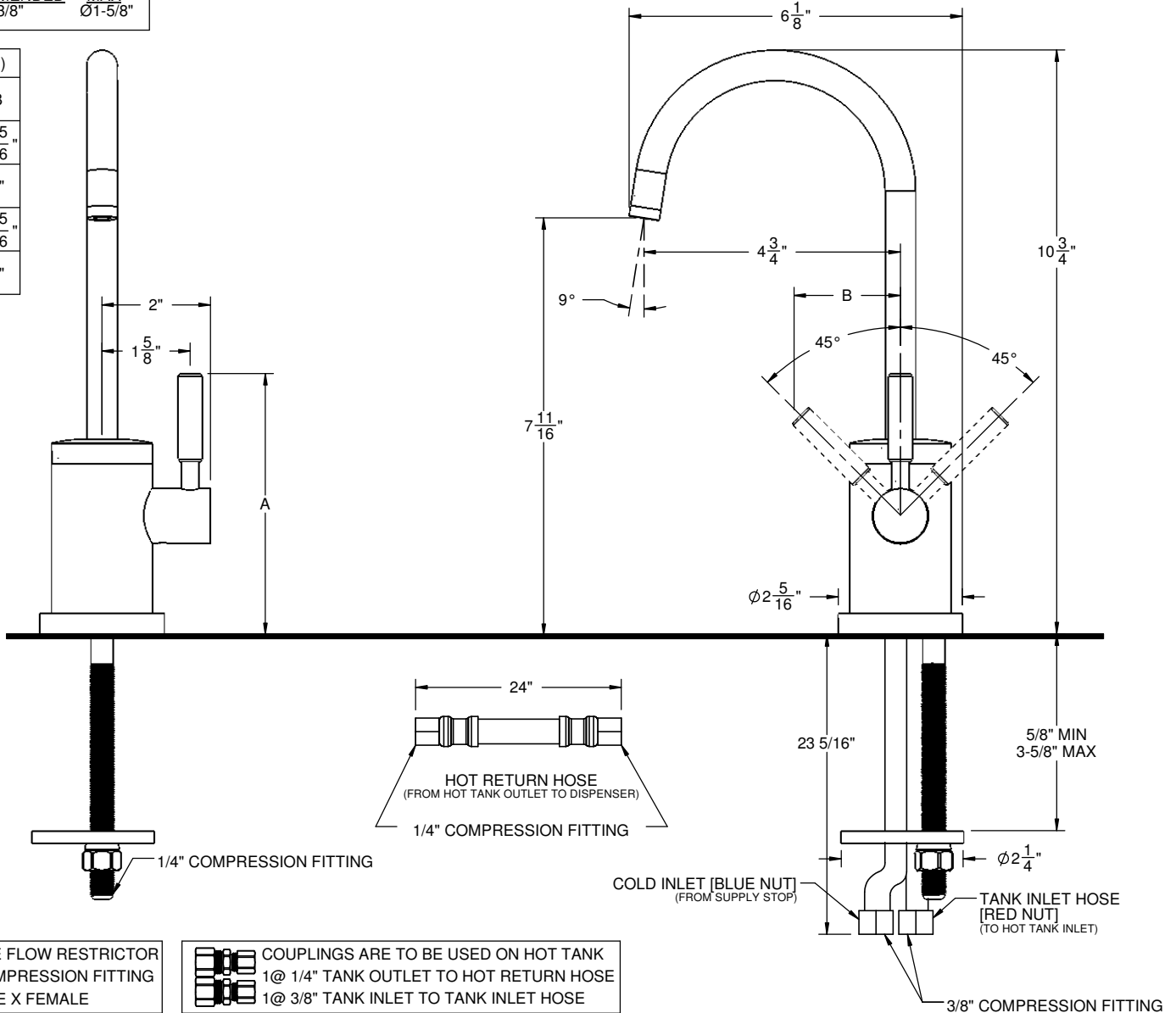
Meets or exceeds the following at date of manufacture:

- ASME A112.18.1/CSA B125.1
- NSF 61 and NSF 372
- CEC & DOE
- Commonwealth of MA
- ADA compliant

THROUGH-HOLE SPECIFICATIONS

MIN	RECOMMENDED	MAX
Ø1-1/4"	Ø1-3/8"	Ø1-5/8"

DIMENSIONS (in.)		
XX HANDLE	A	B
FB	4 13/16"	1 15/16"
ST	4 3/4"	2"
BFB	4 13/16"	1 15/16"
BST	4 3/4"	2"



SUPPLY LINE FLOW RESTRICTOR FOR 3/8" COMPRESSION FITTING
 9/16"-24 MALE X FEMALE

COUPLINGS ARE TO BE USED ON HOT TANK
 1@ 1/4" TANK OUTLET TO HOT RETURN HOSE
 1@ 3/8" TANK INLET TO TANK INLET HOSE

SPECIFICATIONS SUBJECT TO CHANGE WITHOUT NOTICE

ALL DIMENSIONS SHOWN TO NEAREST 1/16"