

## Single Hole Lavatory Faucet with Pop-Up Drain Installation Instructions

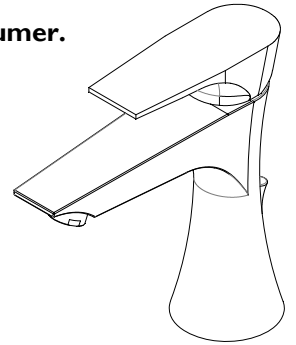
**CALIFORNIA FAUCETS RECOMMENDS THAT ALL PLUMBING PRODUCTS BE INSTALLED BY A LICENSED PROFESSIONAL**

**IMPORTANT:** Read all instructions prior to installation and provide copy of instructions to consumer.

### Operating Specifications:

Recommended Supply Pressure: 20 to 70 psi\*

\* If water pressure exceeds 70 psi, install a Pressure-Reducing Valve (RPV).

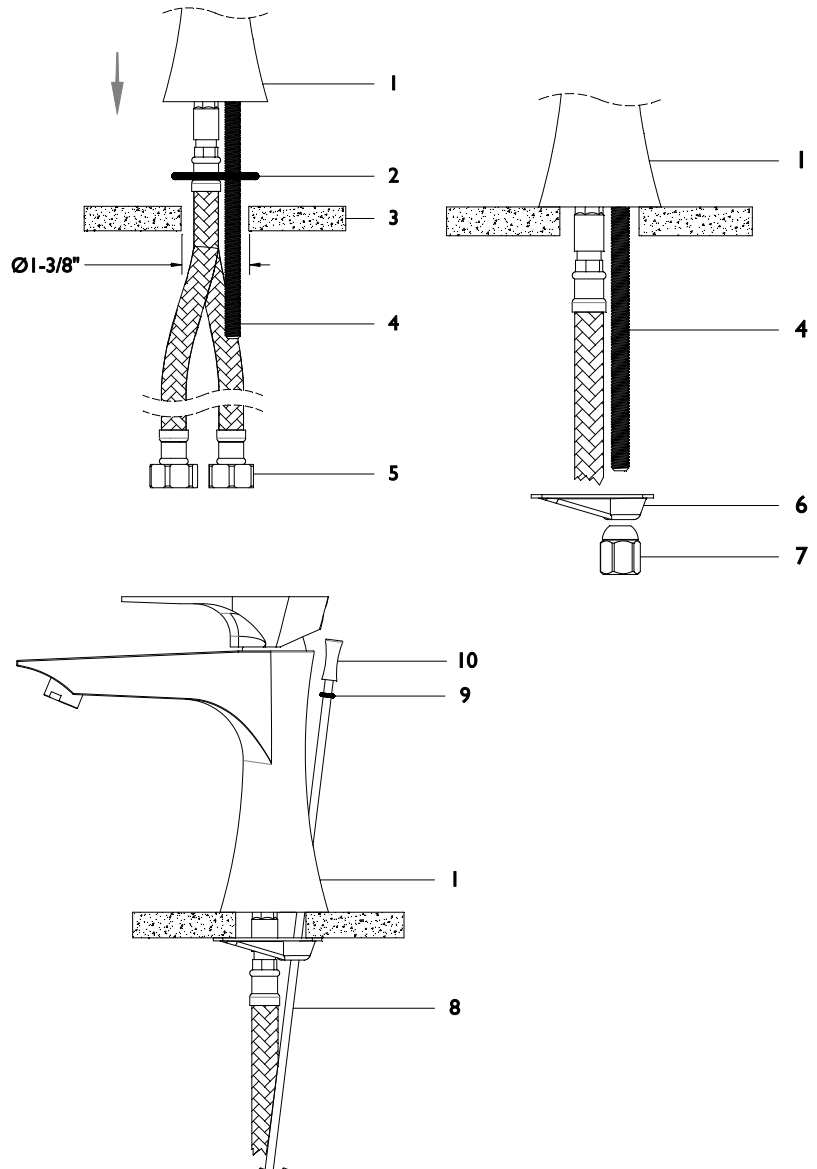


### INSTALLING FAUCET TO SINK/DECK

- Insert O-RING (2) into bottom of BODY (1) and center over sink/deck THROUGH-HOLE (3)

**NOTE:** Recommended sink/deck THROUGH-HOLE is  $\varnothing 1\text{-}3/8"$

- Insert FLEX HOSE (5) (one at a time) and THREADED ROD (4) through sink/deck THROUGH-HOLE (3)
- From underside of sink/deck THROUGH-HOLE (3), place MOUNTING BRACKET (6) and NUT (7) onto THREADED ROD (4)
- Align BODY (1) so that spout is centered into sink
- Tighten NUT (7) until BODY (1) is secure to sink/deck
- Insert lift ROD (8) through hole on backside of BODY (1) and slide down through deck
- Position O-RING (9) on ROD (8) so that lift KNOB (10) does not hit backside of BODY (1)

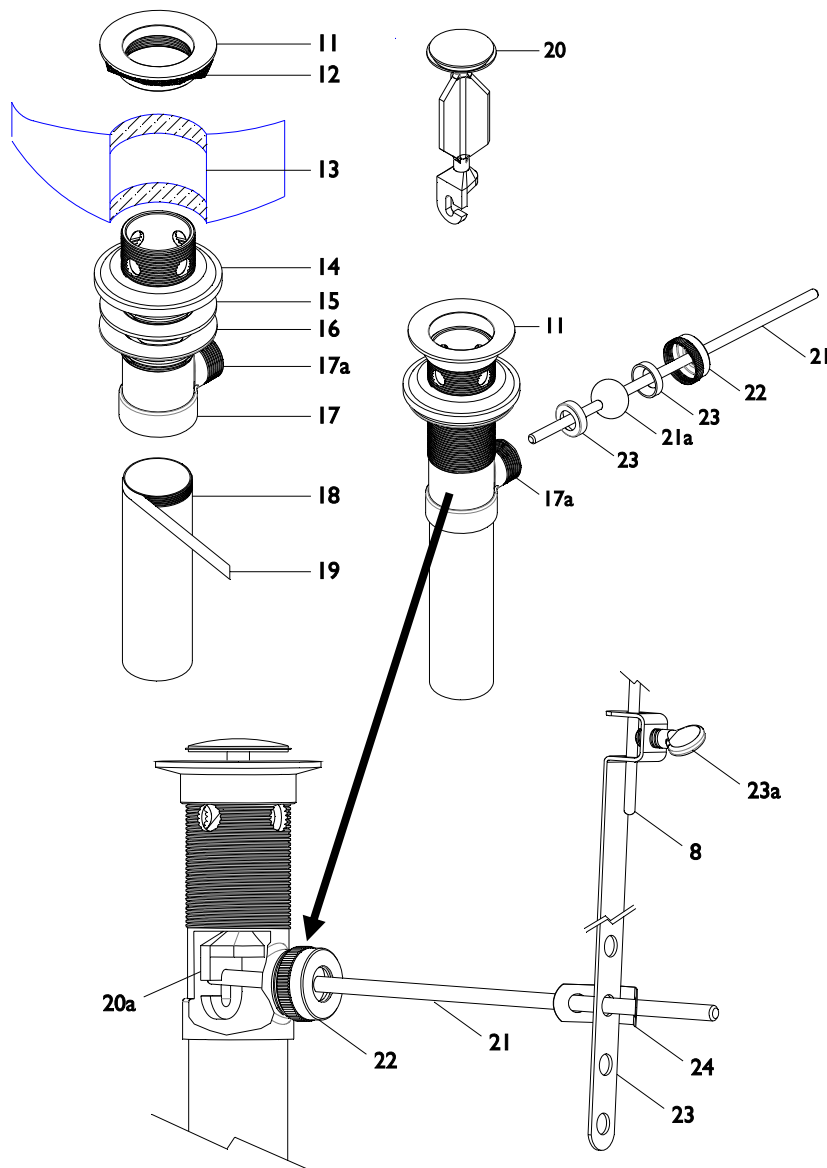


## 2 INSTALLING POP-UP DRAIN

- Remove COLLAR (11) from pop-up assembly and apply SILICONE CAULK (12) (or equivalent) to underside of COLLAR (11)

**CAUTION:** Do not use or any oil base sealant that may damage finish

- Insert DRAIN BODY (17) from underside through sink DRAIN HOLE (13) & attach to COLLAR (11)
- Align BALL ROD HOLE (17a) toward rear of sink and firmly tighten FLANGE NUT (16) against FRICTION WASHER (15), MACK WASHER (14) and sink DRAIN HOLE (13)
- Remove TAILPIECE (18) from DRAIN BODY (17), apply thread SEALANT (19) to TAILPIECE (18) threads and tighten into DRAIN BODY (17)
- Insert STOPPER (20) into COLLAR (11) & rotate off-set HOOK (20a) to front of sink to accept BALL ROD (21)
- Remove spring CLIP (24) from BALL ROD (21)
- Place CONE WASHERS (23) on both sides of ball rod BALL (21a) with NUT (22) to backside
- Insert BALL ROD (21) into body BALL ROD HOLE (17a) and through off-set HOOK (20a)
- Tighten NUT (22), but allow BALL ROD (21) to freely move up and down
- Place STRAP (23) onto LIFT ROD (8) and tighten THUMB-SCREW (23a)
- Place one end of CLIP (24) onto BALL ROD (21), then STRAP (23), gently squeeze CLIP (24) and slide other end of CLIP (24) onto BALL ROD (21)
- Check proper operation of STOPPER (20) and adjust by sliding STRAP (23) on LIFT ROD (8) as necessary



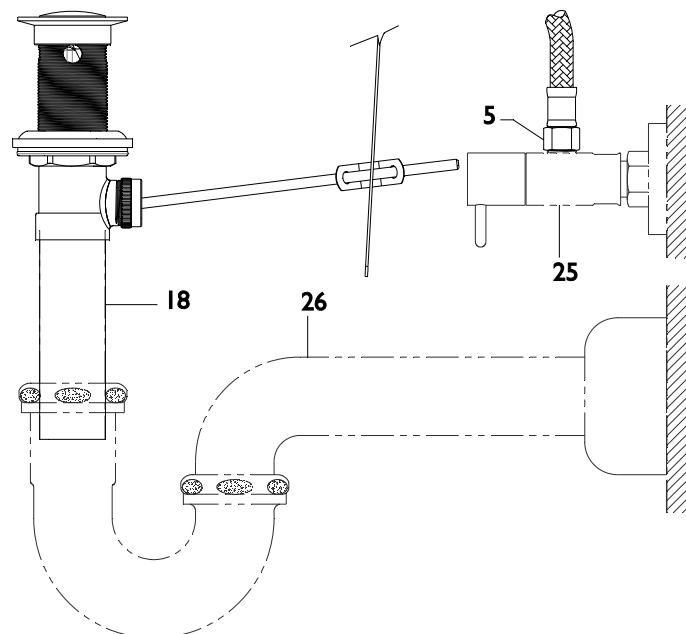
## 3 SUPPLY & WASTE CONNECTIONS

- Connect blue colored FLEX HOSE (5) to cold SUPPLY VALVE (25) and red colored FLEX HOSE (5) to hot SUPPLY VALVE (25)

**IMPORTANT:** Flush supply lines and valves prior to installation to prevent damage and malfunction of cartridge

- Connect waste P-TRAP (26) to drain TAILPIECE (18)
- NOTE:** Supply valves and P-Trap are not supplied with faucet. See CAL TRIM for complete selection of matching products in desired finish
- Turn on cold and hot SUPPLY VALVES (25)
- Slowly open faucet lever by lifting lever and rotate to left and right
- Check all connections for leaks and repair as necessary
- Give these instructions to consumer for safe keeping

**NOTE:** Occasionally, due to water conditions it may be necessary to remove aerator and clean debris off with soft bristle toothbrush



californiafaucets.com

5271 Argosy Ave. Huntington Beach, CA 92649  
800-822-8855