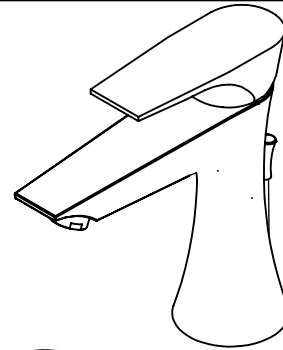




Features

- Over 30 finishes including 14 PVD finishes
- Solid brass construction
- Single handle operation carriage w/ ceramic disc
- Flexible connection for easy installation
- 4 3/16" spout reach
- Maximum flow rate: 1.5 gpm (5.7 L/m)
- For additional product offerings, see www.californiafaucets.com

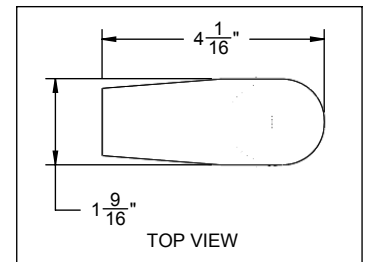
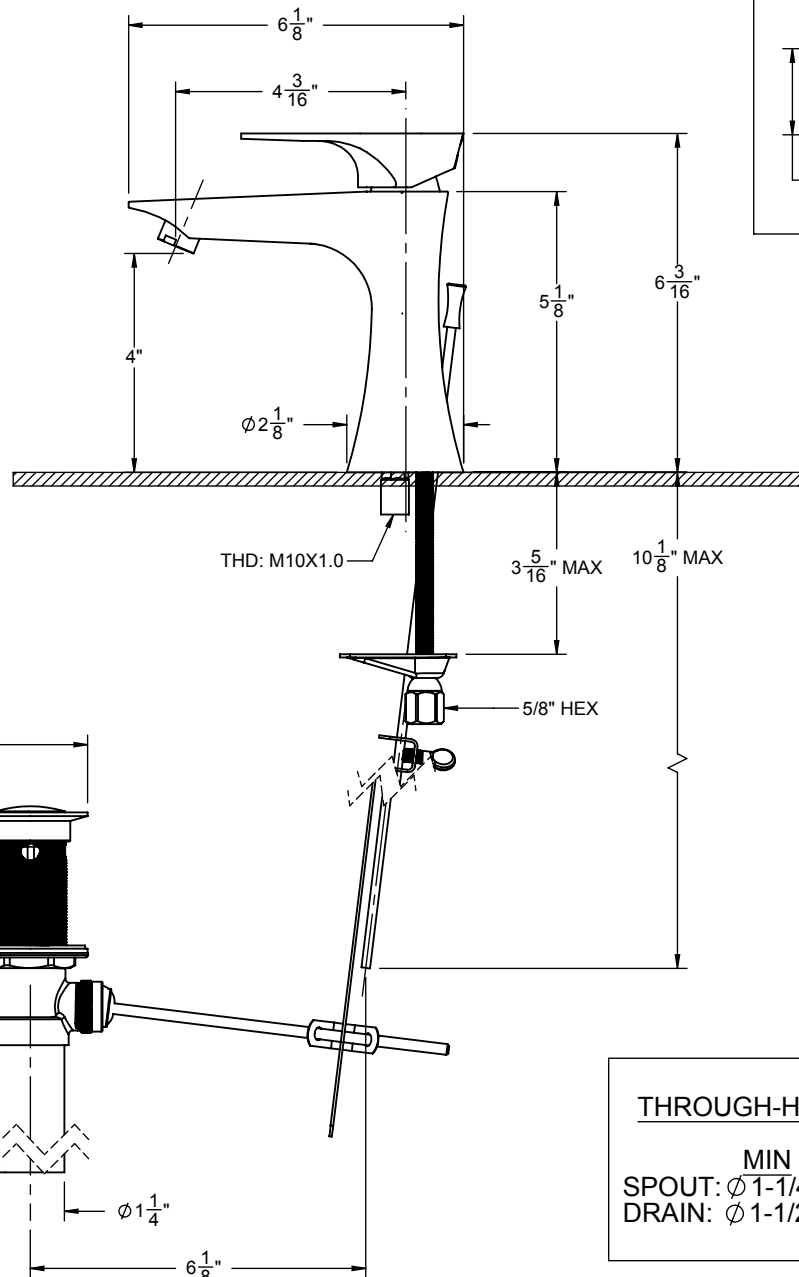
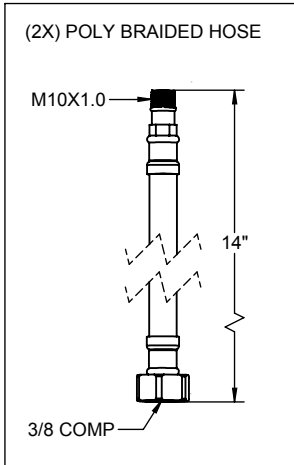


E201-1

Codes/Standards Applicable

Meets or exceeds the following at date of manufacture:

- ASME A112.18.1/CSA B125.1
- NSF 61 and CA/VT lead plumbing law



THROUGH-HOLE SPECIFICATIONS		
	MIN	RECOMENDED
SPOUT:	∅ 1-1/4"	∅ 1-3/8"
DRAIN:	∅ 1-1/2"	∅ 1-3/4"

ALL DIMENSIONS SHOWN TO NEAREST 1/16"