

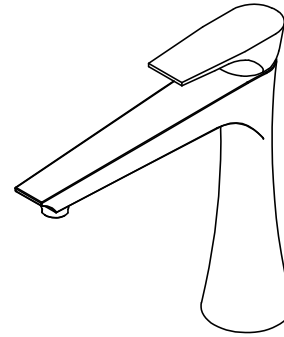
Features

- 7-1/16" spout center to center
- Single handle operation cartridge with ceramic disc
- Flexible braided hoses for ease of installation
- 1.2 gpm (4.5 L/min) max flow rate
- Solid brass construction
- Over 30 finishes including 15 PVD finishes

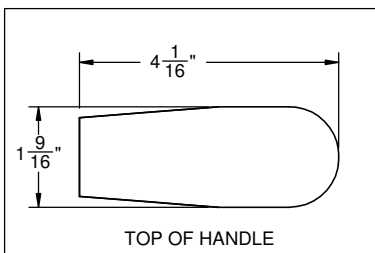
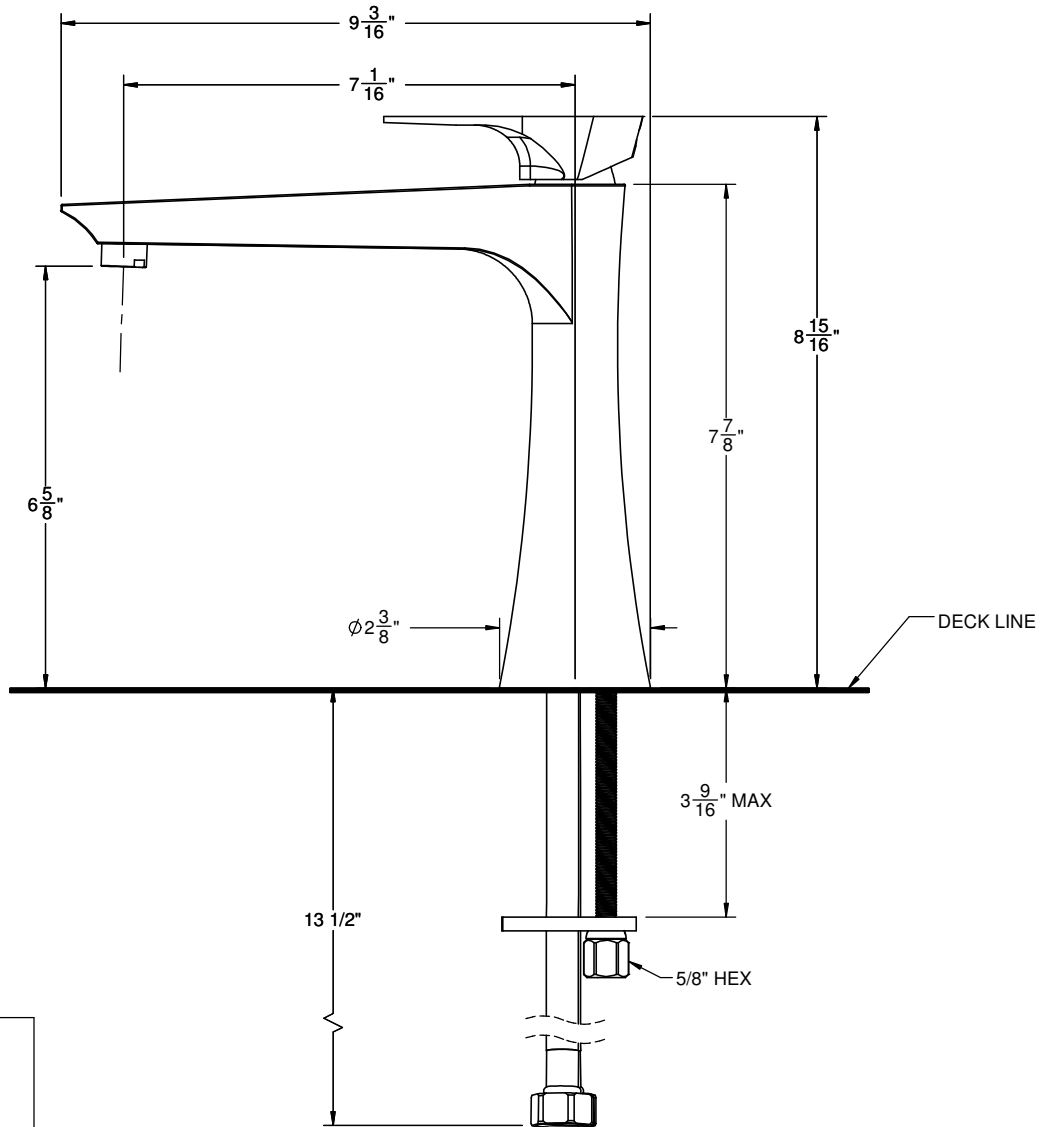
Codes/Standards

Product meets or exceeds the following:

- ASME A112.18.1/CSA B125.1
- NSF/ANSI 61 & NSF/ANSI 372
- CEC
- ADA compliant



CF-E201-2



THROUGH-HOLE SPECIFICATIONS	
MIN	RECOMMENDED
SPOUT: $\phi 1-1/4$ "	$\phi 1-3/8$ "

ALL DIMENSIONS SHOWN TO NEAREST 1/16"