



California Faucets®

POETTO™

CULINARY KITCHEN FAUCET

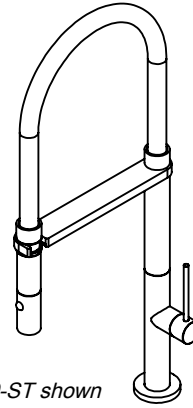
Features

- Solid brass construction
- 360° rotating arm with slide-in opening to secure sprayhead
- Flexible closed coil stainless steel spring
- One button operation brass sprayhead has dual function aerated or spray mode
- Spray jets have easy-to-clean surface that withstands mineral build-up
- Ceramic disc cartridge
- 1.8 gpm (6.8 L/min) max flow rate
- Over 30 finishes including 15 PVD finishes

Codes/Standards Applicable

Meets or exceeds the following at date of manufacture:

- ASME A112.18.1/CSA B125.1
- NSF 61 and NSF 372



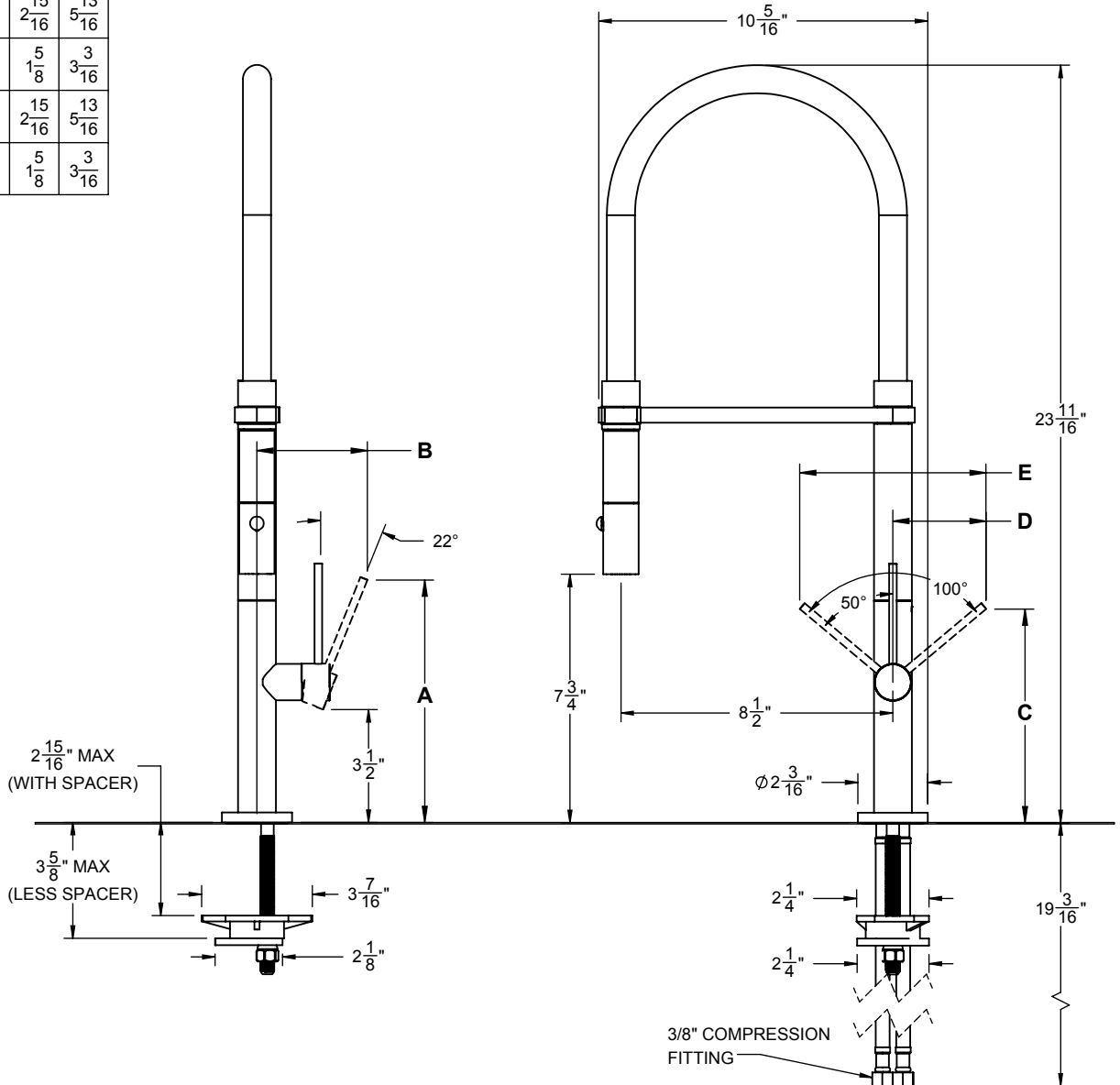
CF-K50-150-ST shown

CF-K50-150-XX
CF-K50-150F-XX

XX = DENOTES HANDLE STYLE

DIMENSIONS (in.)					
XX HANDLE	A	B	C	D	E
BST	7 ⁹ / ₁₆	3 ⁷ / ₁₆	11 ⁶ / ₁₆	2 ¹⁵ / ₁₆	5 ¹³ / ₁₆
BSST	6	2 ¹³ / ₁₆	5 ⁹ / ₁₆	1 ⁵ / ₈	3 ³ / ₁₆
ST	7 ⁹ / ₁₆	3 ⁷ / ₁₆	11 ⁶ / ₁₆	2 ¹⁵ / ₁₆	5 ¹³ / ₁₆
SST	6	2 ¹³ / ₁₆	5 ⁹ / ₁₆	1 ⁵ / ₈	3 ³ / ₁₆

THROUGH-HOLE SPECIFICATIONS		
MIN	RECOMENDED	MAX
Ø 1-1/4"	Ø 1-3/8"	Ø 1-9/16"



ALL DIMENSIONS SHOWN TO NEAREST 1/16"