



California Faucets®

**CORSANO™**

**CORSANO™ MAIN PULL-OUT KITCHEN FAUCET**

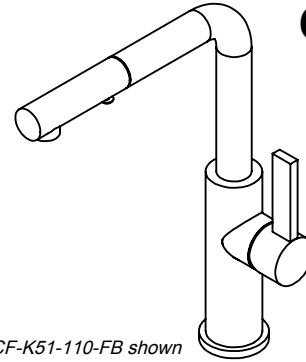
**Features**

- Solid brass construction
- 360 rotating spout
- One button operation brass sprayhead has dual function aerated or spray mode with quiet polymer-braided hose
- Spray jets have easy-to-clean surface that withstands mineral build-up
- Ceramic disc cartridge
- 1.8 gpm (6.8 L/min) max flow rate
- Over 30 finishes including 15 PVD finishes

**Codes/Standards Applicable**

Meets or exceeds the following at date of manufacture:

- ASME A112.18.1/CSA B125.1
- NSF 61 and NSF 372



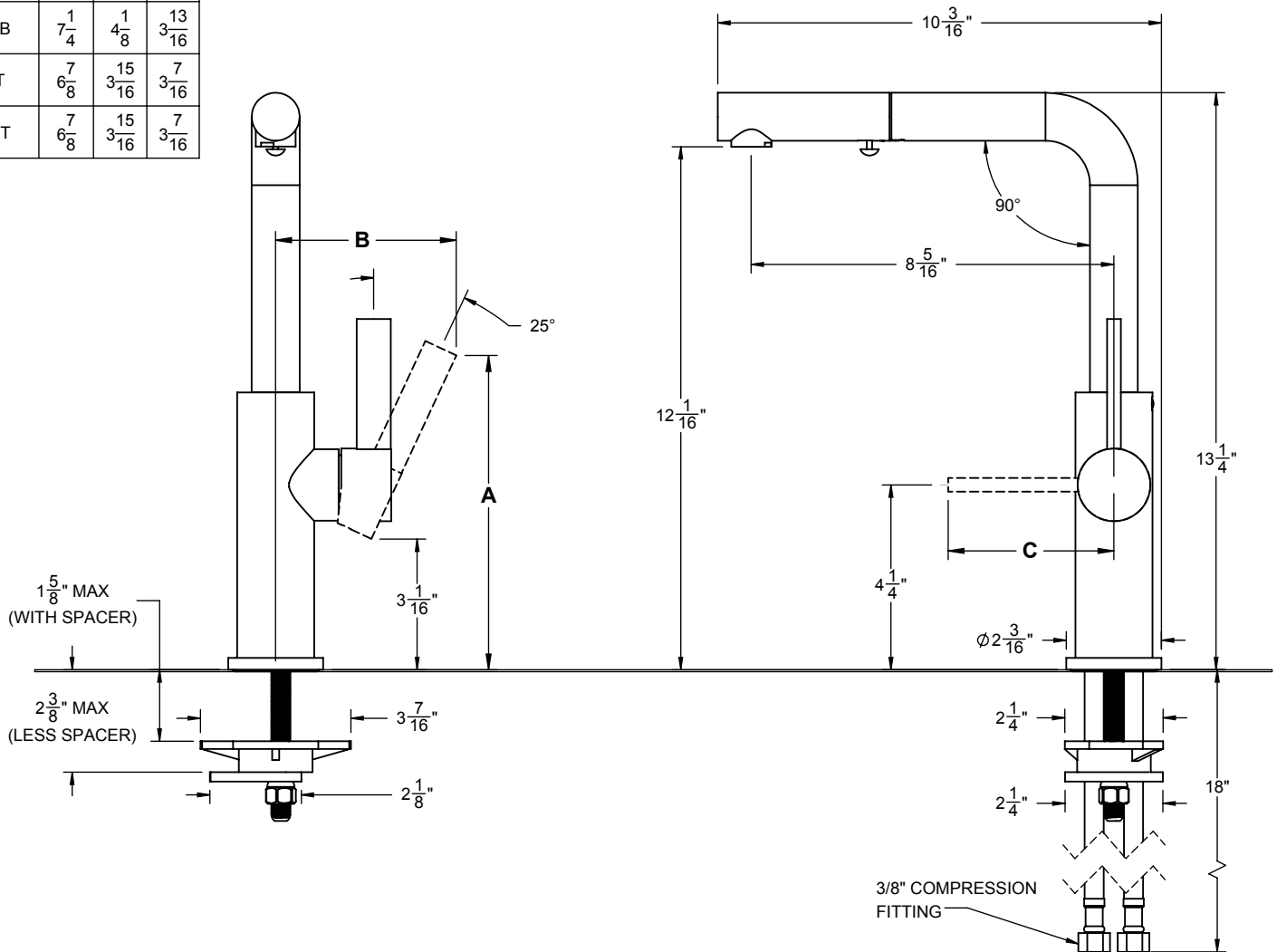
**CF-K51-110-XX**

CF-K51-110-FB shown

XX = DENOTES HANDLE STYLE

DIMENSIONS (in.)			
XX HANDLE	A	B	C
FB	7 <sup>1</sup> / <sub>4</sub> "	1 <sup>1</sup> / <sub>8</sub> "	3 <sup>13</sup> / <sub>16</sub> "
BFB	7 <sup>1</sup> / <sub>4</sub> "	1 <sup>1</sup> / <sub>8</sub> "	3 <sup>13</sup> / <sub>16</sub> "
ST	7 <sup>7</sup> / <sub>8</sub> "	3 <sup>15</sup> / <sub>16</sub> "	3 <sup>7</sup> / <sub>16</sub> "
BST	7 <sup>7</sup> / <sub>8</sub> "	3 <sup>15</sup> / <sub>16</sub> "	3 <sup>7</sup> / <sub>16</sub> "

THROUGH-HOLE SPECIFICATIONS		
MIN	RECOMENDED	MAX
Ø 1-1/4"	Ø 1-3/8"	Ø 1-3/8"



ALL DIMENSIONS SHOWN TO NEAREST 1/16"