



California Faucets®

Solimar™

CF-TO-V7002-9 In-Wall Vessel Lavatory Faucet Installation Instructions

CALIFORNIA FAUCETS RECOMMENDS THAT ALL PLUMBING PRODUCTS BE INSTALLED BY A LICENSED PROFESSIONAL

IMPORTANT: Read all instructions prior to installation and provide copy of instructions to consumer.

Operating Specifications:

Recommended Supply Pressure: 20 to 70 psi**

Maximum Flow Rate: 1.5 gpm

* Operating pressures between hot and cold supplies should vary no more than 30 psi.

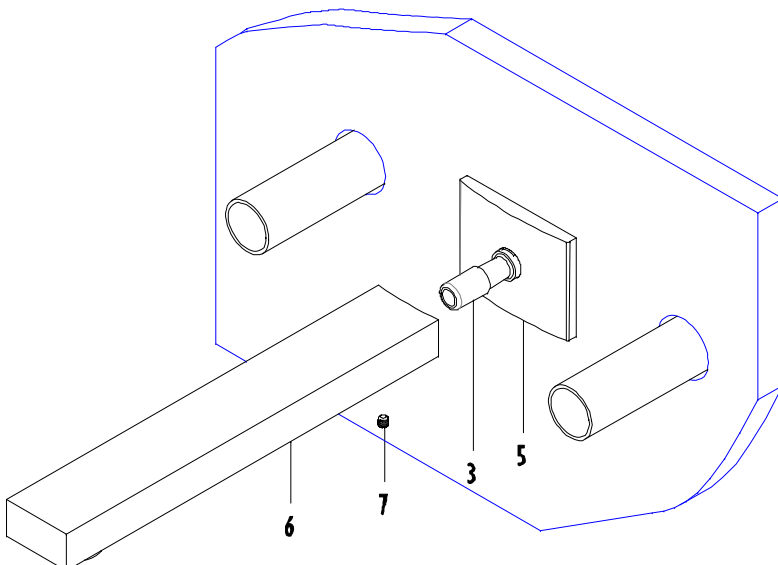
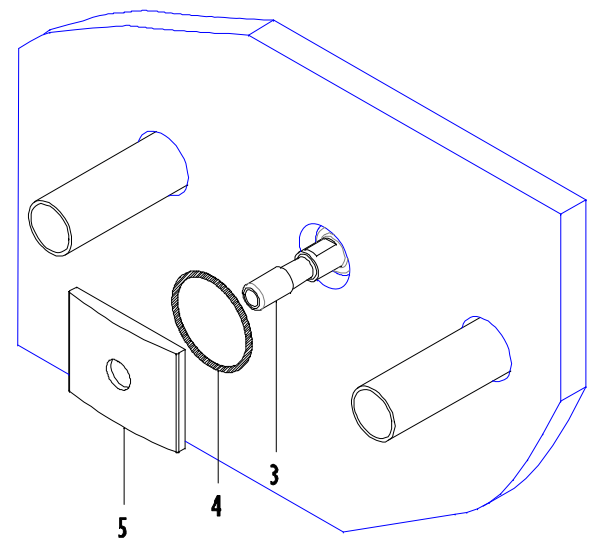
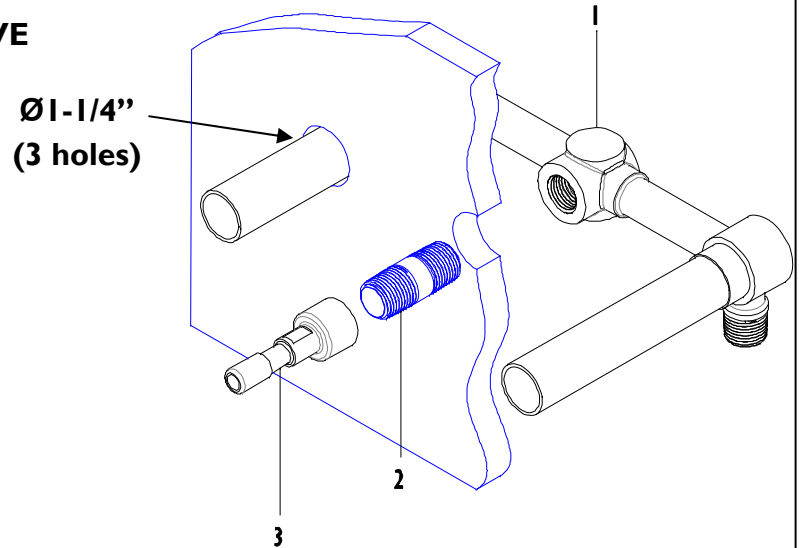
† If water pressure exceeds 70 psi, install a Pressure-Reducing Valve (RPV).

INSTALLING SPOUT TO IN-WALL VALVE

- Prior to installing faucet trim in-wall vessel rough valve (**CF-VL-R**) must be properly installed and wall surface must be completely finished
- Recommended through-hole size shall be $\varnothing 1-1/4"$
- Apply thread sealant to both threaded ends of NIPPLE (**2**), not supplied, and tighten into center outlet of VALVE (**1**)
- Securely tighten QUICK CONNECT (**3**) onto end of NIPPLE (**2**) using 1/2" open-end wrench
- Place O-RING (**4**) into ESCUTCHEON (**5**) & slide ESCUTCHEON (**5**) onto QUICK CONNECT (**3**)

IMPORTANT: To prevent damage to internal o-ring on SPOUT (**6**), QUICK CONNECT (**3**) must be free of any dirt and/or debris

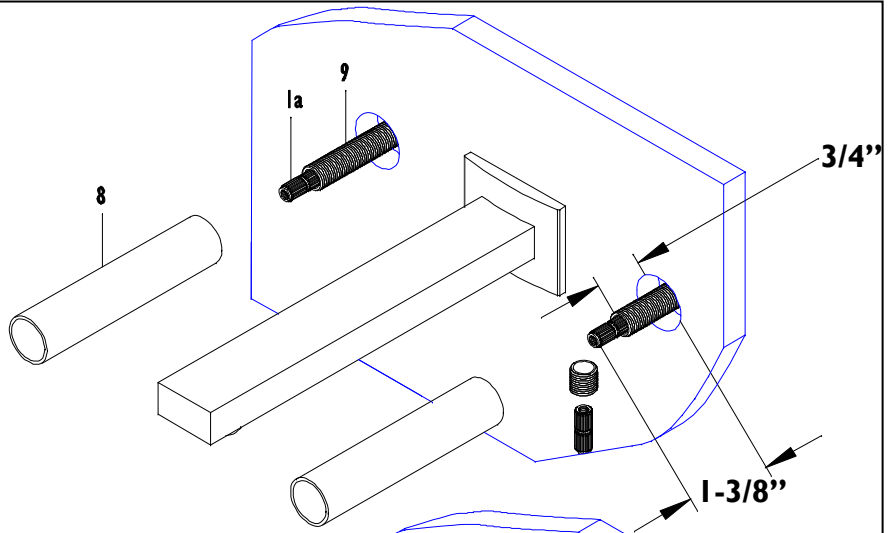
- Slide SPOUT (**6**) onto QUICK CONNECT (**3**), align ESCUTCHEON (**5**) & SPOUT (**6**) and tighten SETSCREW (**7**) on bottom side of SPOUT (**6**)



2

TRIMMING VALVE STEM

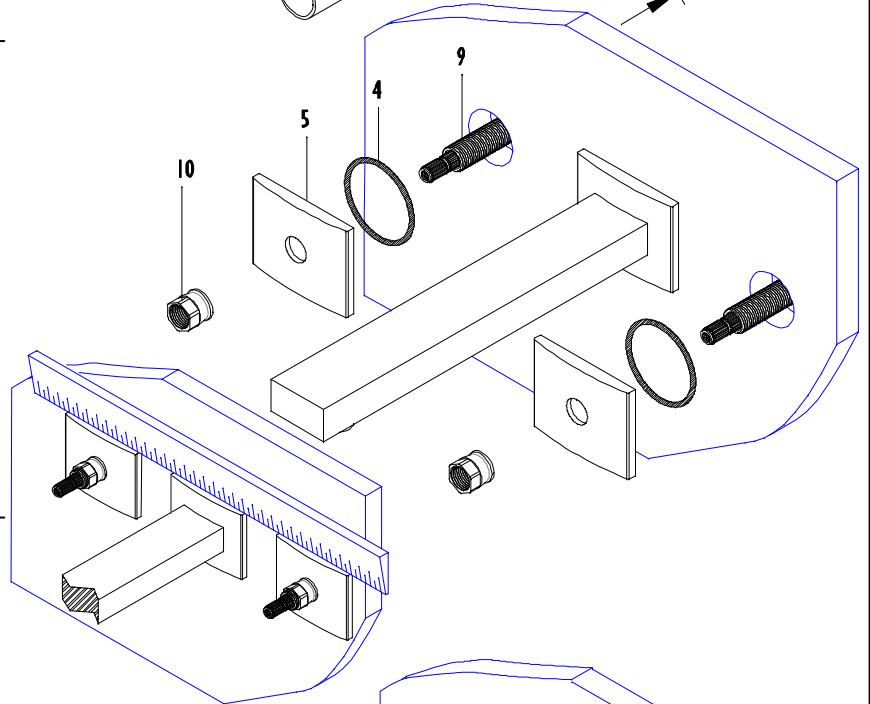
- Remove MUDGUARD (8) from valve STEM (1a)
- Unscrew ALL-THREAD (9) from valve STEM (1a)
- Cut STEM (1a) 1-3/8" from finished wall surface
- Reattach ALL-THREAD (9) onto valve STEM (1a), using a marking device (i.e. pencil or marker) indicate a distance of 3/4" from finished wall on ALL-THREAD (9)
- Unscrew ALL-THREAD (9) from valve STEM (1a) and cut off excess ALL-THREAD (9) at indicated mark & reattach ALL-THREAD (9) onto valve STEM (1a)



3

INSTALLING ESCUTCHEON

- Insert O-RING (4) into ESCUTCHEON (5) and place onto ALL-THREAD (9)
- Secure ESCUTCHEON (5) onto wall by tightening lock NUT (10)
- To align ESCUTCHEONS (5), use a ruler or straight edge to align the spout and handle escutcheons of the faucet as shown
- After alignment retighten lock nuts and spout setwscrew



4

INSTALLING HANDLE

- Loosen SETSCREW (11a) from POST (11c)
- IMPORTANT:** Handle BLADE (11b) shall be aligned with wider portion of handle POST (11c)
- Slide HANDLE (11) down onto and engage valve STEM (1a)
 - Handle POST (11c) shall completely cover lock NUT (10) and seat against ESCUTCHEON (5)
 - Tighten SETSCREW (11a) and rotate handle BLADE (11b) to check operation, open position is when BLADE (11b) is rotated forward
 - To obtain proper alignment it may be necessary to tighten valve STEM (1a) so that handle BLADE (11b) is aligned with SPOUT (6). This may be achieved as follows:
 - Slightly loosen lock NUT (10) and remove ESCUTCHEON (5)
 - Using 3/4" (19MM) 6-point deep socket (not included) tighten valve STEM BASE (1b) to achieve proper alignment of handle BLADE (11b)
 - Once proper alignment is achieved, reattach ESCUTCHEON (5) and HANDLE (11) as mentioned above

