



Tel: 714-891-7797  
 Fax: 714-891-2478  
 Toll Free: 800-822-8855  
 www.calfaucets.com

# DECK DIVERTER VALVE

INSTALLATION  
 INSTRUCTIONS

California Faucets®

DDV-R

## IMPORTANT

All *California Faucets*® products are engineered to provide quality performance provided they are installed and operated properly. To fully enjoy the comfort, safety, and reliability of your new Deck Diverter Valve, please follow the instructions below.

California Faucets reserves the right to make modification and specification changes at any time. Please visit [www.calfaucets.com](http://www.calfaucets.com) for most current technical data.

- Remove all thread, trim nut and hub from diverter valve body.
- Hole diameter size in deck or tub needs to be 1 1/2"
- Insert valve body through the hole from underside and reinstall the hub (hand tight only) until it stops against the O-Ring on body.
- Align the valve body in the desired position to allow easy connection access to valve, pull body down and tighten the bottom nut securely.

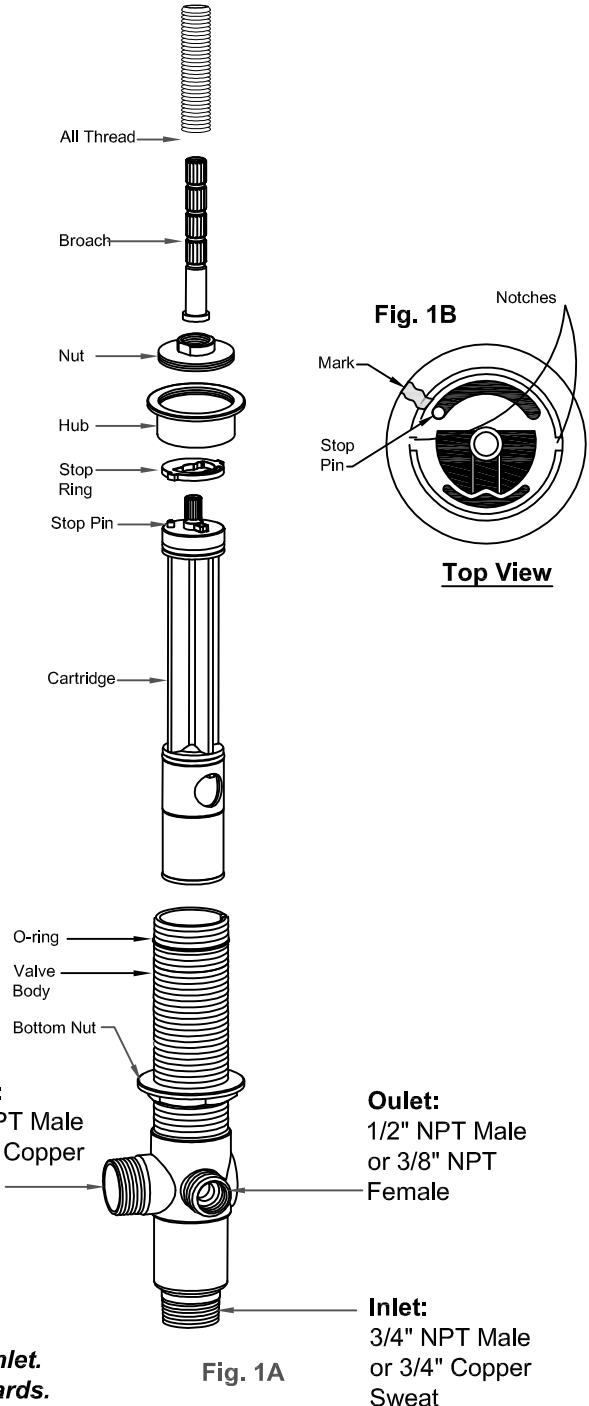
### Connection types:

#### NPT Thread (or) copper sweat "solder"

- For solder connections either directly to the valve, or within 6" of the valve, the **CARTRIDGE MUST BE REMOVED** from the body. When soldering do not apply excessive heat directly to the body. **Failure to follow these directions can cause damage to the body and or cartridge, and may nullify the warranty.**
- Fit the broach to the cartridge and rotate counter-clockwise until it stops.
- Use a permanent marker to mark the position of the stop pin on the hub (**See Fig. 1B**).
- Remove broach and cartridge with stop ring from the body.
- Connect the mixed water from valves to the 3/4" inlet (on the bottom of valve).
- Connect the 3/4" outlet on side of valve to the tub spout.
- Connect 1/2" outlet on side of valve to the hand shower hose.
- After body has cooled, reinstall the cartridge carefully and align stop pin with the mark on the hub. (**See Fig. 1B**) Use broach if necessary to rotate the cartridge for alignment.
- Reinstall the stop ring in top of body, (will only fit one way), and push down into 2 notches.
- Reinstall trim nut, broach and all thread (do not overtighten all thread onto trim nut).

### NOTE:

**This deck diverter valve has "dual check valves" built into the inlet. The valve complies with back-flow prevention codes and standards.**



-Install trim, (base ring if applicable), escutcheon and handle and tighten set screws with allen wrench provided.

NOTE: When fitting handle it may be necessary to shorten broach and/or all thread to eliminate gaps between handle and escutcheon.



Fig. 2B

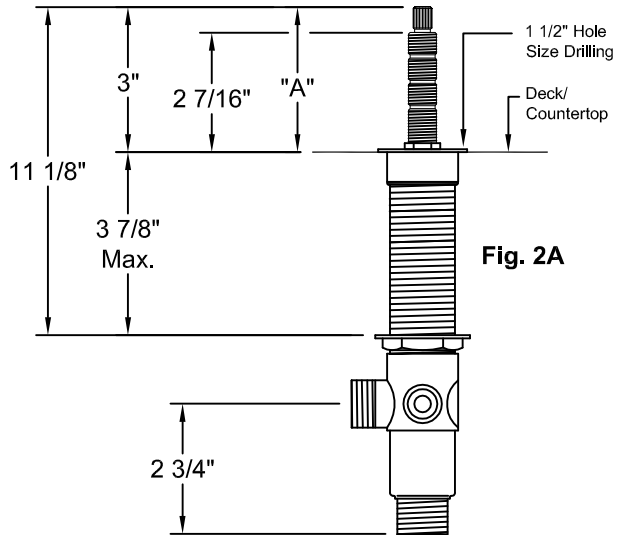
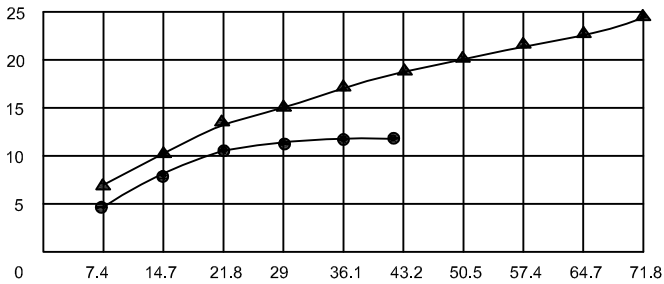


Fig. 2A

"A" DIMENSION	
"A" Dimension is from finished wall to tip of stem broach	
Handle Series #	"A"
34	2 3/8"
35	2 3/8"
36	2 3/8"
38	2 5/8"
40	2 5/8"
42	2 5/8"
43	2 1/4"
46	2 1/2"
47	2 1/2"
50	2 1/4"
51	2 1/2"
52	2 5/8"
53	2 1/4"
55	2 5/8"
57	2"
58	2 5/8"
59	2 5/8"
60	2 1/4"
61	2 1/4"
62	1 7/16"
63	3"
64	2 5/8"
65	2 1/8"
66	2 1/8"
67	2 1/4"
68	2 3/8"
69	2 3/8"
70	2 1/4"



**Flow Rate**

- ▲ = 3/4" Port
- = 3/8"-1/2" Port

Pressure:  
 Maximum = 125 P.S.I. - 8.6 Bar  
 Hot water supply temperature = Maximum 185 °F / 85 °C  
 C.S.A., A.S.S.E. & I.A.P.M.O. U.S. & CA.

**TROUBLE SHOOTING**

1. Leak between top of body and cartridge.	Remove cartridge as described in the instruction sheet and inspect the O-Ring. If defective, replace the O-Ring and apply some silicone grease and reinstall the cartridge as described in the instruction sheet.
2. Water comes from both outlets at the same time.	Remove cartridge and inspect. If defective, replace the cartridge. Reinstall cartridge as described in the instruction sheet.