



Tel: 714-891-7797  
 Fax: 714-891-2478  
 Toll Free: 800-822-8855  
 www.calfaucets.com

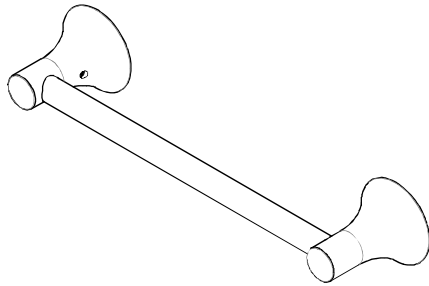
California Faucets®

# DIVA ACCESSORIES

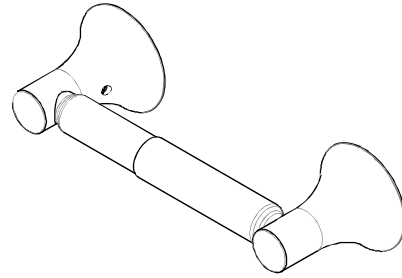
E2-18, E2-24, E2-30 and E2-TP

**INSTALLATION  
 INSTRUCTIONS**

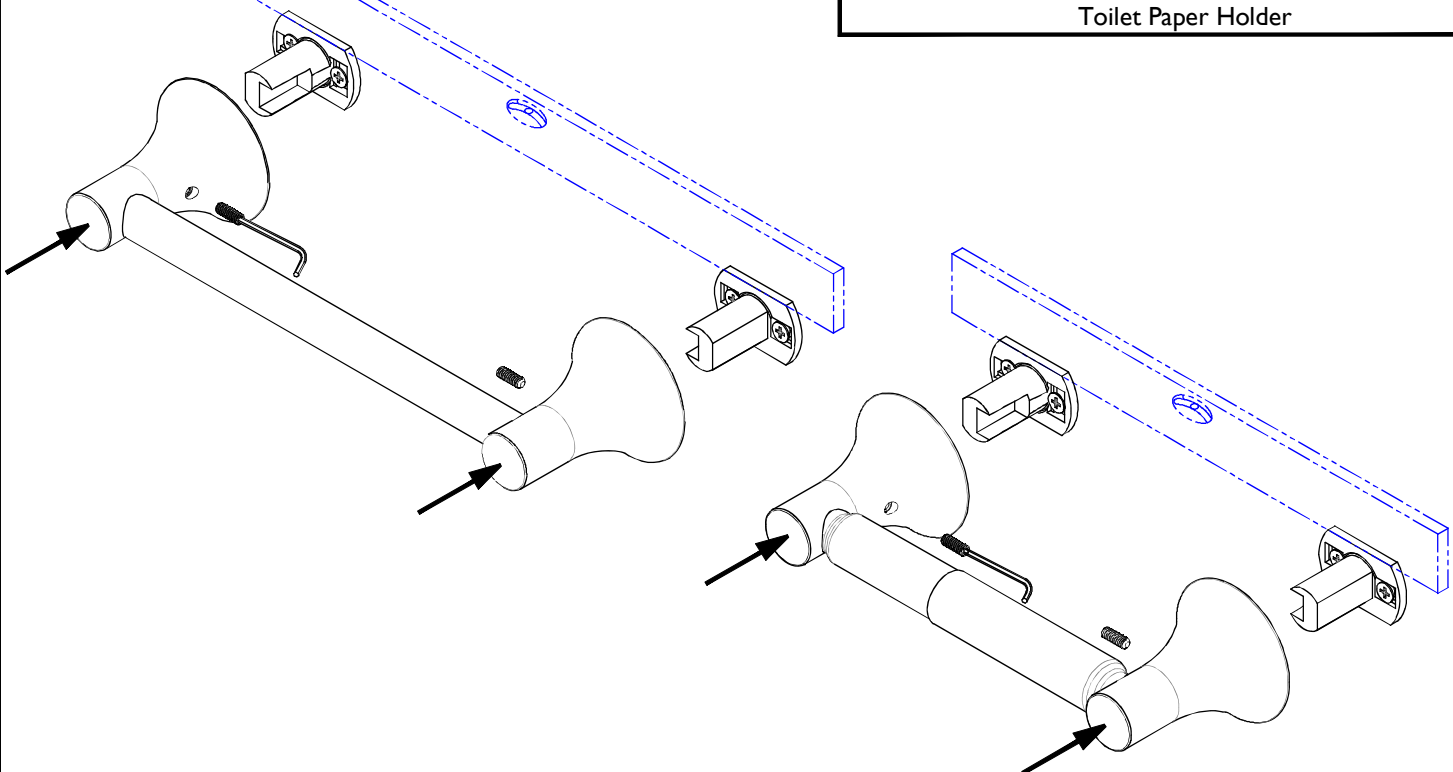
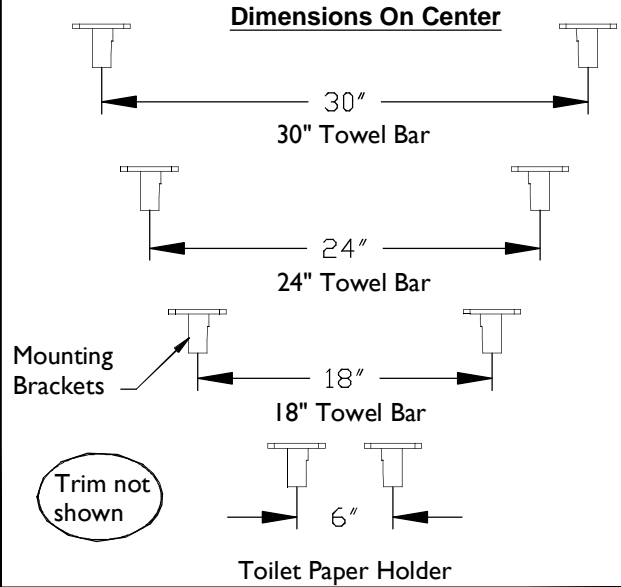
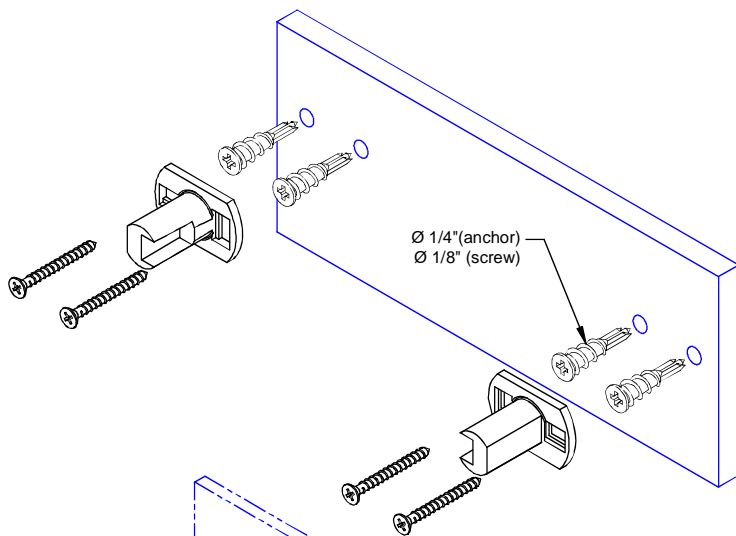
California Faucets reserves the right to make modification and specification changes at any time.  
 Please visit [www.calfaucets.com](http://www.calfaucets.com) for most current technical data.



Towel Bar (E2-18, E2-24 & E2-30)



Two Post Toilet Paper Holder (E2-TP)





Tel: 714-891-7797  
 Fax: 714-891-2478  
 Toll Free: 800-822-8855  
 www.calfaucets.com

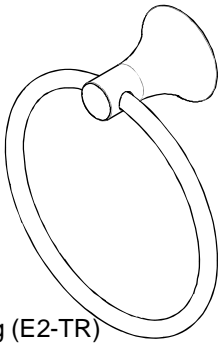
California Faucets®

# DIVA ACCESSORIES

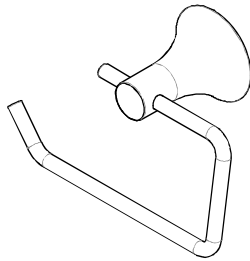
E2-TR, E2-STP, E2-DRH and E2-RH

**INSTALLATION  
INSTRUCTIONS**

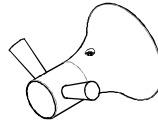
California Faucets reserves the right to make modification and specification changes at any time.  
 Please visit [www.calfaucets.com](http://www.calfaucets.com) for most current technical data.



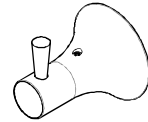
Towel Ring (E2-TR)



Single Post Toilet/Hand  
Towel Holder (E2-STP)

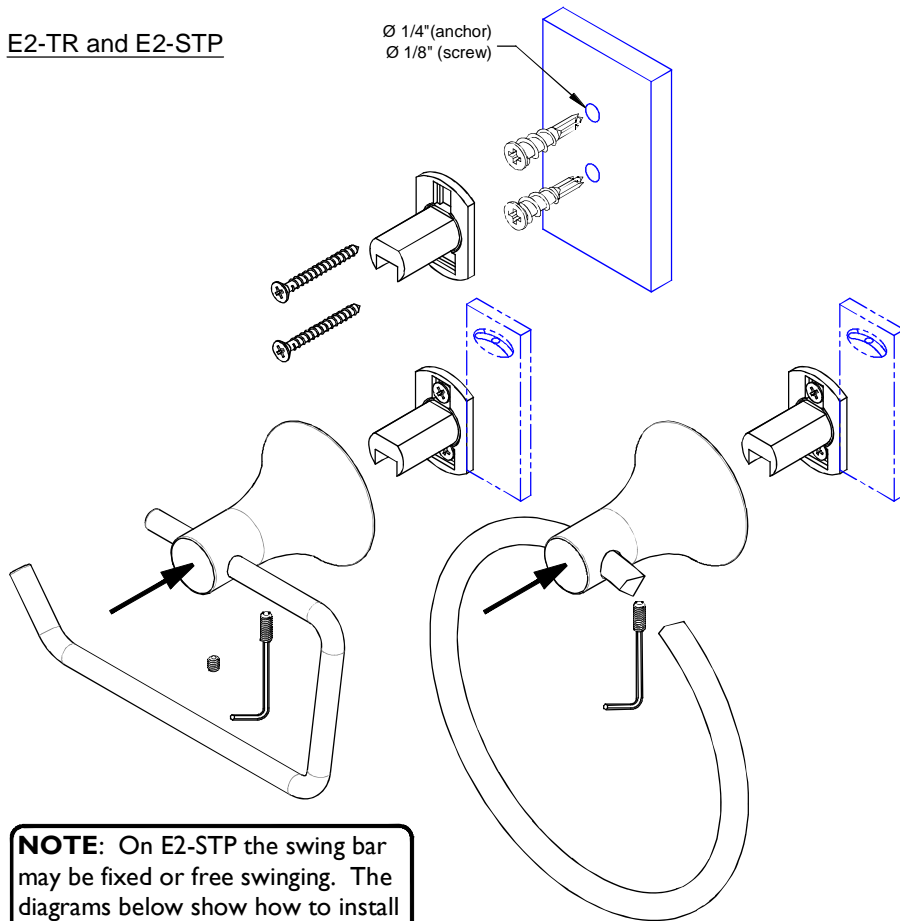


Double Robe Hook (E2-DRH)

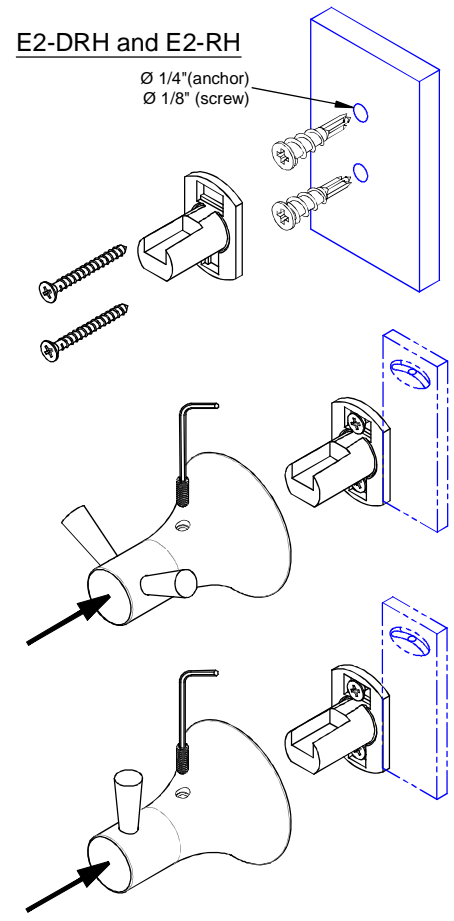


Robe Hook (E2-RH)

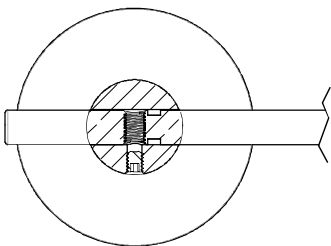
## E2-TR and E2-STP



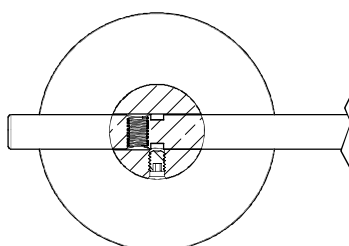
## E2-DRH and E2-RH



**NOTE:** On E2-STP the swing bar may be fixed or free swinging. The diagrams below show how to install the FRONT setscrew on Post for either of these installation methods.



E2-STP: Fixed holder with  
opening to left of post



E2-STP: Free swinging holder  
with opening to left or right of post