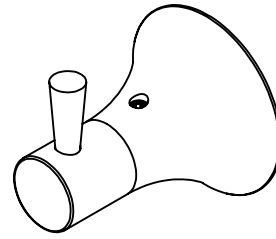




**Features**

- Over 30 finishes including 14 PVD finishes
- Solid brass construction
- Adjustable wall mount to allow proper vertical alignment
- Includes mounting hardware
- For additional product offerings, see [www.californiafaucets.com](http://www.californiafaucets.com)

**E2-RH**



**Codes/Standards Applicable**

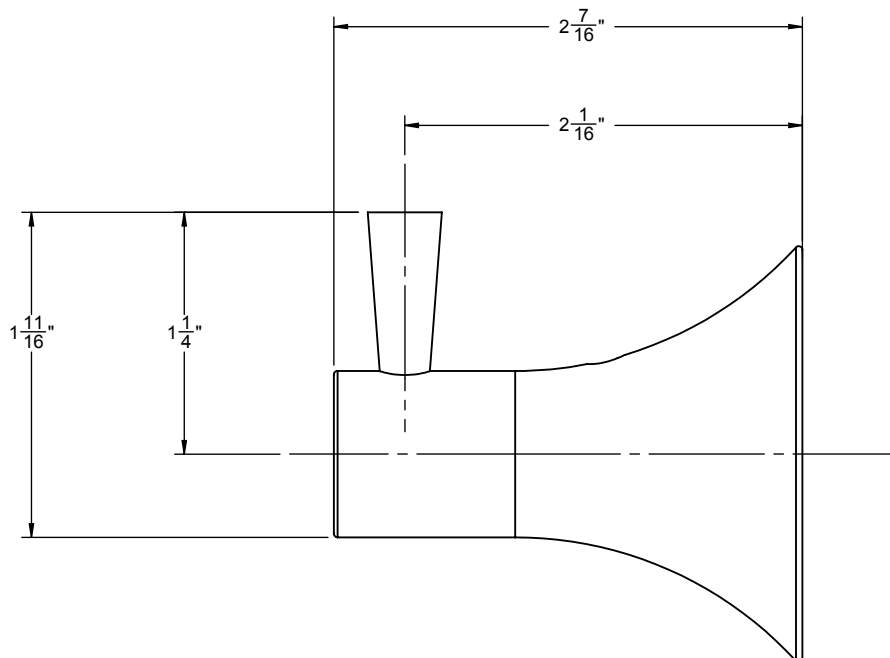
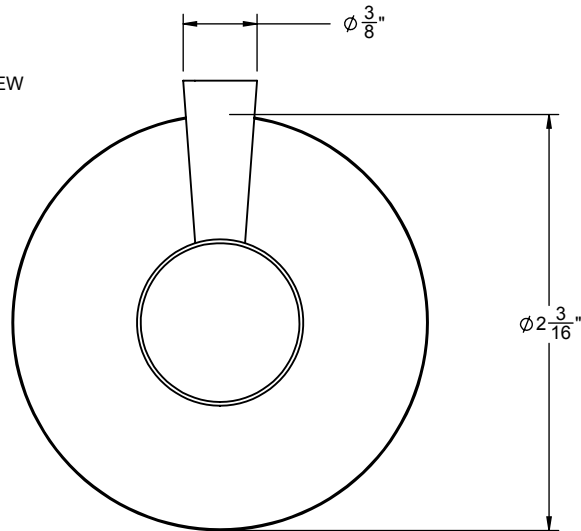
Meets or exceeds the following at date of manufacture:

- None applicable

(2X) 1X3/8" ANCHOR



(2X) 8X1/2" PHILLIPS HEAD SCREW



ALL DIMENSIONS SHOWN TO NEAREST 1/16"