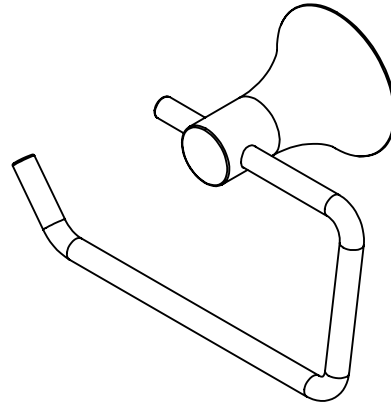




Features

- Over 30 finishes including 14 PVD finishes
- Solid brass construction
- Adjustable wall mount to allow proper horizontal leveling
- Reversible holder opening (left or right) in swing configuration
Can also be locked in for rigid installation (left opening configuration only)
- For additional product offerings, see www.californiafaucets.com

E2-STP



Codes/Standards Applicable

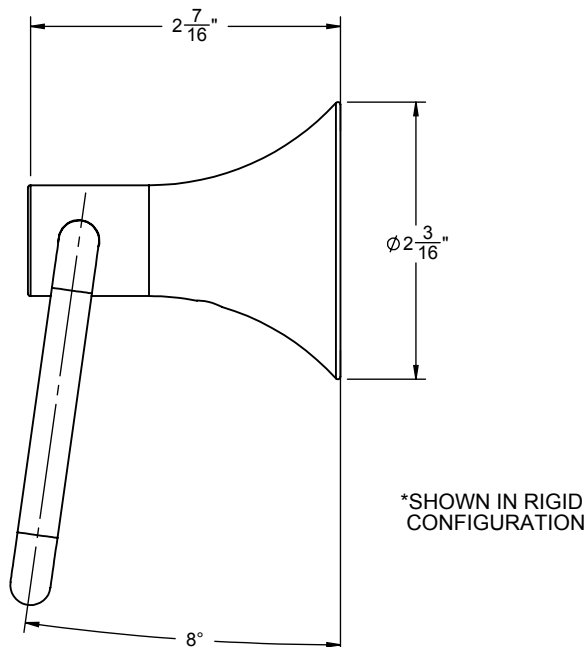
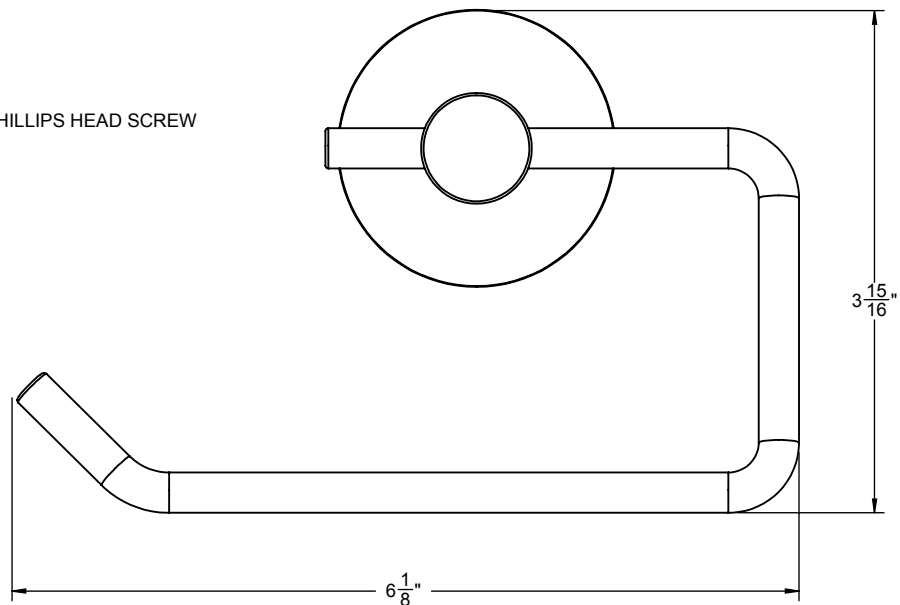
Meets or exceeds the following at date of manufacture:

- None applicable

(2X) 1X3/8" ANCHOR



(2X) 8X1/2" PHILLIPS HEAD SCREW



ALL DIMENSIONS SHOWN TO NEAREST 1/16"