

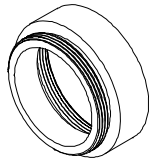
# EXT-PB05, EXT-PB10 & EXT-PB15

## 1/2", 1" or 1-1/2" Extension Kit for Pressure Balance Valve PB-R

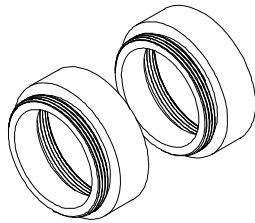
### Installation Instructions

CALIFORNIA FAUCETS RECOMMENDS THAT ALL PLUMBING PRODUCTS BE INSTALLED BY A LICENSED PROFESSIONAL

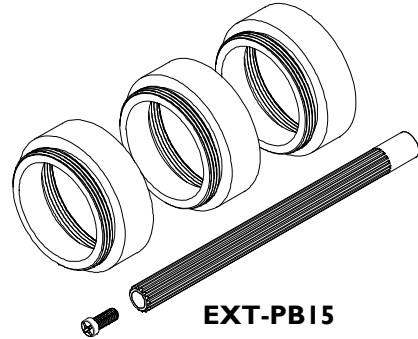
If pressure balance trim does not attach to the installed valve because the valve is positioned too far into the finished wall, these extension kits will extend the valve's cartridge nut an additional 1/2", 1" or 1-1/2" to allow installation of originally supplied trim. Each kit contains the following:



EXT-PB05



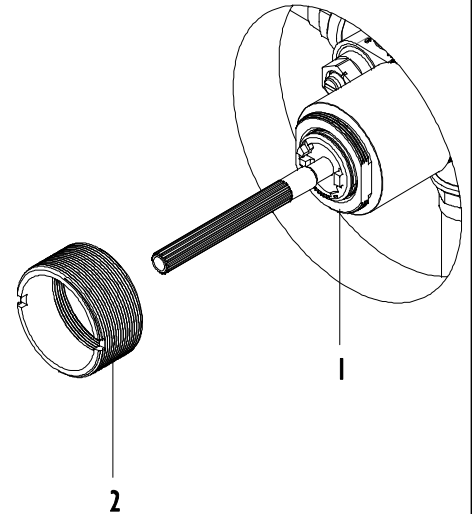
EXT-PB10



EXT-PB15

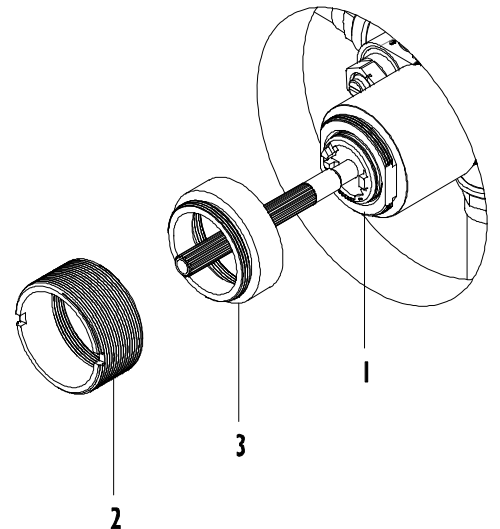
#### 1 REMOVE BUSHING FROM CARTRIDGE NUT

- Remove BUSHING (2) from installed valve's CARTRIDGE NUT (1) as shown



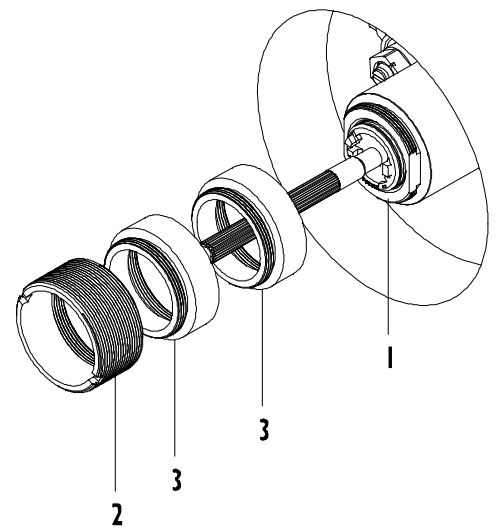
#### 2a INSTALL EXTENSION KIT EXT-PB05

- Attach EXTENSION SLEEVE (3) onto CARTRIDGE NUT (1)
- Attach BUSHING (2) onto EXTENSION SLEEVE (3)
- See **3** INSTALL TRIM



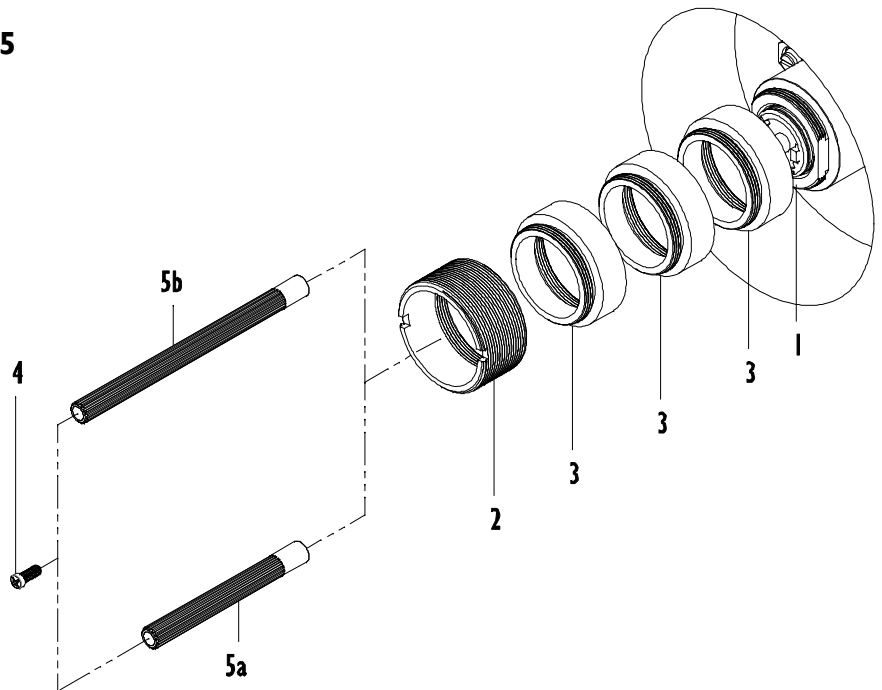
## 2b INSTALL EXTENSION KIT EXT-PB10

- Attach two (2) EXTENSION SLEEVE (3) onto CARTRIDGE NUT (1)
- Attach BUSHING (2) onto EXTENSION SLEEVE (3)
- See **3** INSTALL TRIM



## 2c INSTALL EXTENSION KIT EXT-PB15

- Attach three (3) EXTENSION SLEEVE (3) onto CARTRIDGE NUT (1)
- Attach BUSHING (2) onto EXTENSION SLEEVE (3)
- Remove SCREW (4) and STEM (5a) from valve
- Attach EXTENDED STEM (5b) to valve using SCREW (4)
- See **3** INSTALL TRIM



## 3 INSTALL TRIM

- Place SHOWERPLATE (6) onto BUSHING (2)
- Tighten ESCUTCHEON (7a) onto BUSHING (2) until SHOWERPLATE (6) is secure to finished wall surface. An additional BONNET (7b) may be supplied based on product style, this BONNET (7b) shall be attached to ESCUTCHEON (7a) prior to affixing HANDLE (8)
- Trim STEM (5) to allow  $\frac{1}{2}$ " of STEM (5) to protruded out from ESCUTCHEON (7)
- Place HANDLE (8) onto STEM (5)
- Allow for  $\frac{1}{32}$ " (thickness of credit card) of gap between ESCUTCHEON (7) and HANDLE (8)
- Tighten SETSCREW (9) to secure HANDLE (8) onto STEM (5)

