



California Faucets®

Handshower

2-1/16" TRADITIONAL

Features

- 1/2" MIP inlet
- Brass construction
- Smooth brass handle insert
- Self-cleaning rubber jets
- 2-1/16" diameter, black face
- Replace .FR with desired max flow rate:
HS-15S.25 for 2.5 gpm
HS-15S.20 for 2.0 gpm



HS-15S shown

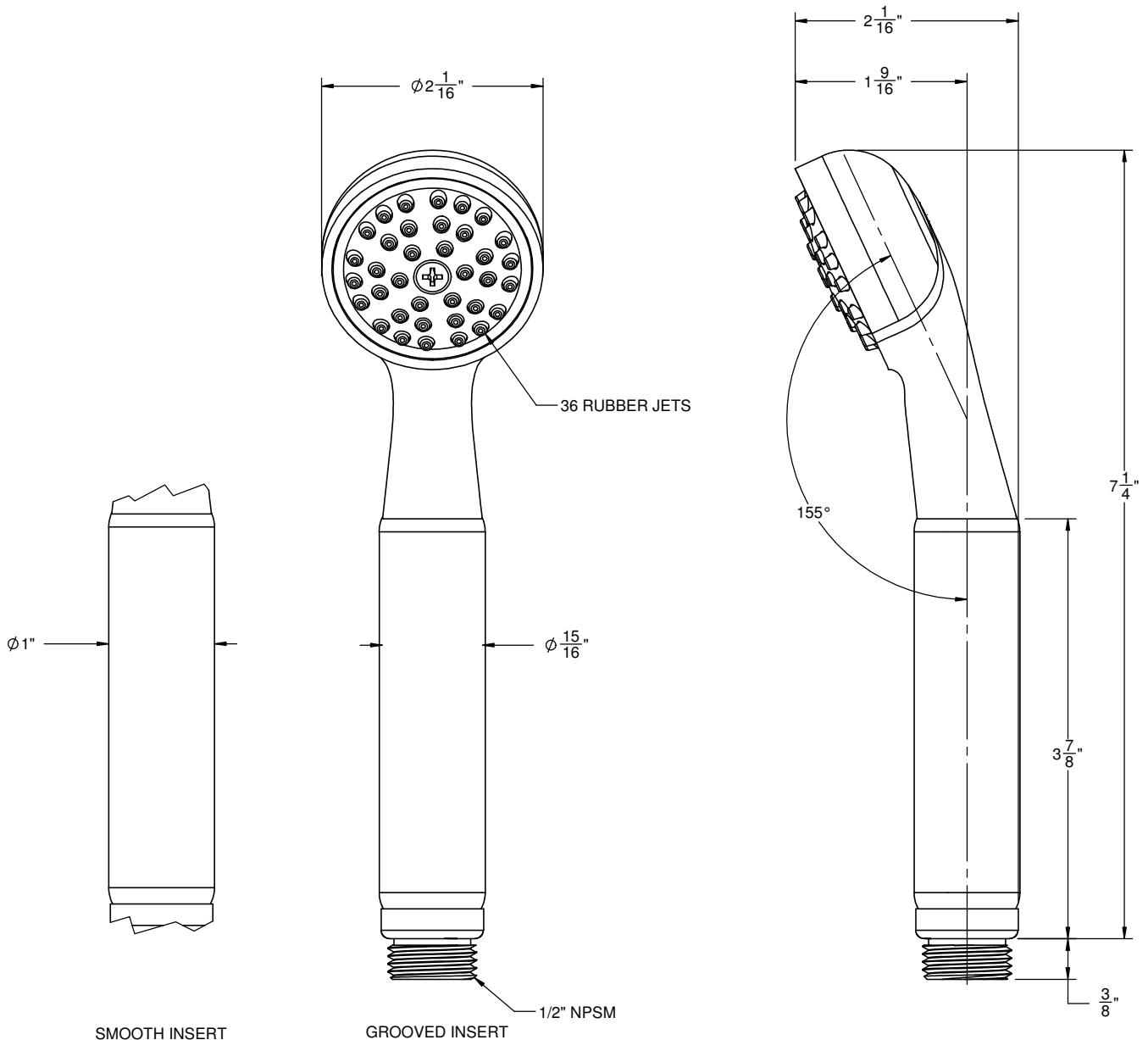
HS-15S.25
 HS-15S.20
 HS-15S
 WE-HS-15S



Codes/Standards

Product meets or exceeds the following:

- ASME A112.18.1/CSA B125.1
- CEC (2.0 gpm)



ALL DIMENSIONS SHOWN TO NEAREST 1/16"