



Features

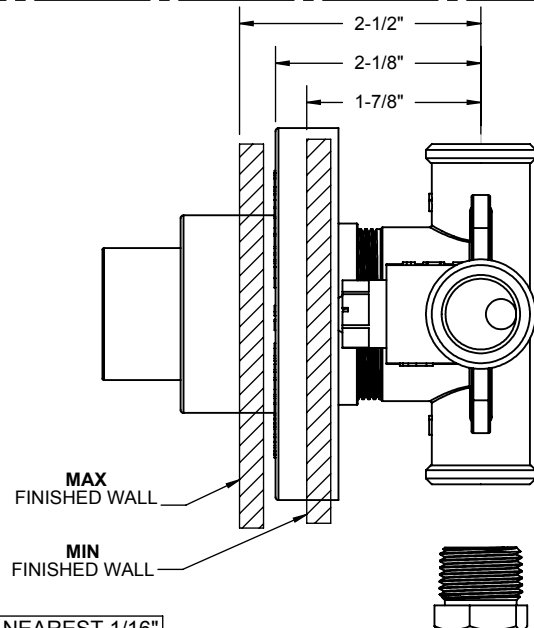
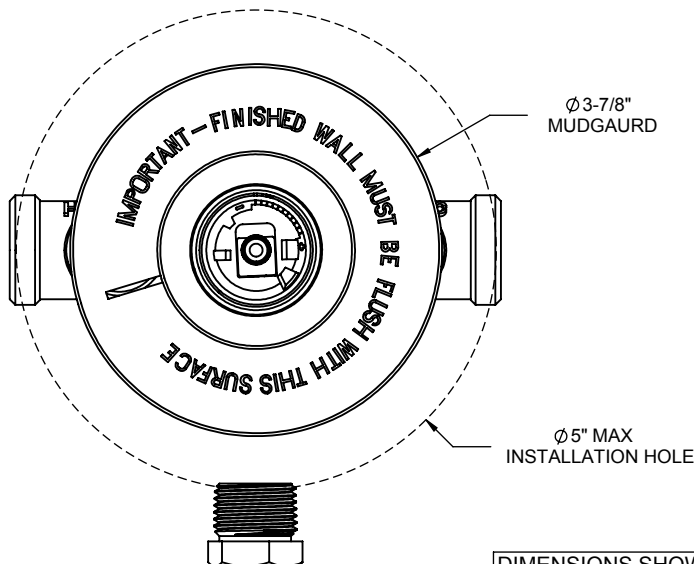
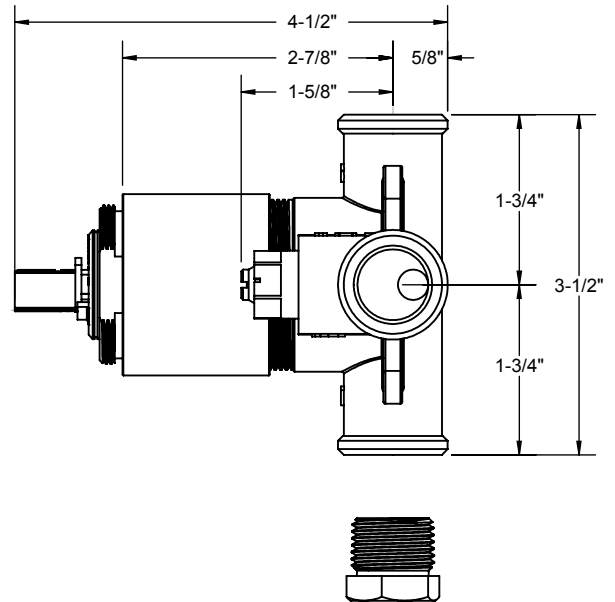
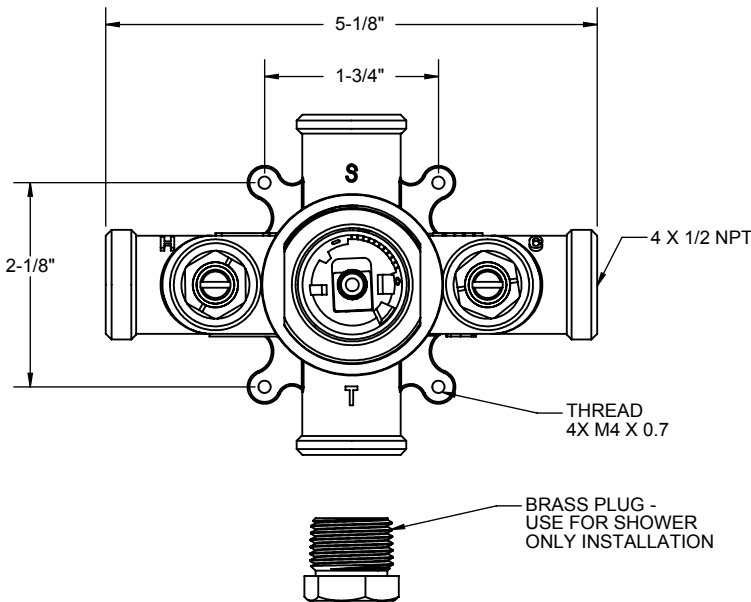
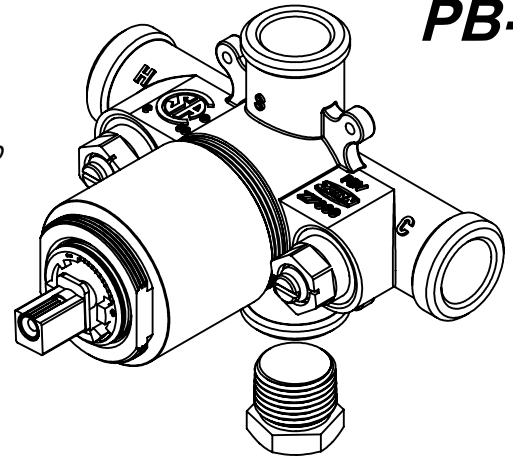
- Forged brass body construction
- 1/2" NPT female connections (2 inlet & 2 outlet)
- Integral front access service/check stops
- Pressure balance anti-scald protection
- Single-handle temperature mixing and flow with adjustable high-temp limit stop
- Adjustable high-temperature limit stop
- One-piece reversible cartridge for back-to-back installations
- Flow rate @60 psi 4.2 gpm (15.9 L/m) - shower port
- 5.0 gpm (18.9 L/m) - tub port
- Twin-ell not required for diverter tub spout installation
- 1/2", 1" & 1-1/2" extensions kits available

Codes/Standards Applicable

Specified model meets or exceeds the following:

- ASME A112.18.1-2005/CSA B125.1-05
- ASSE 1016
- ADA (with lever handles)
- Listed IAPMO/ cUPC®

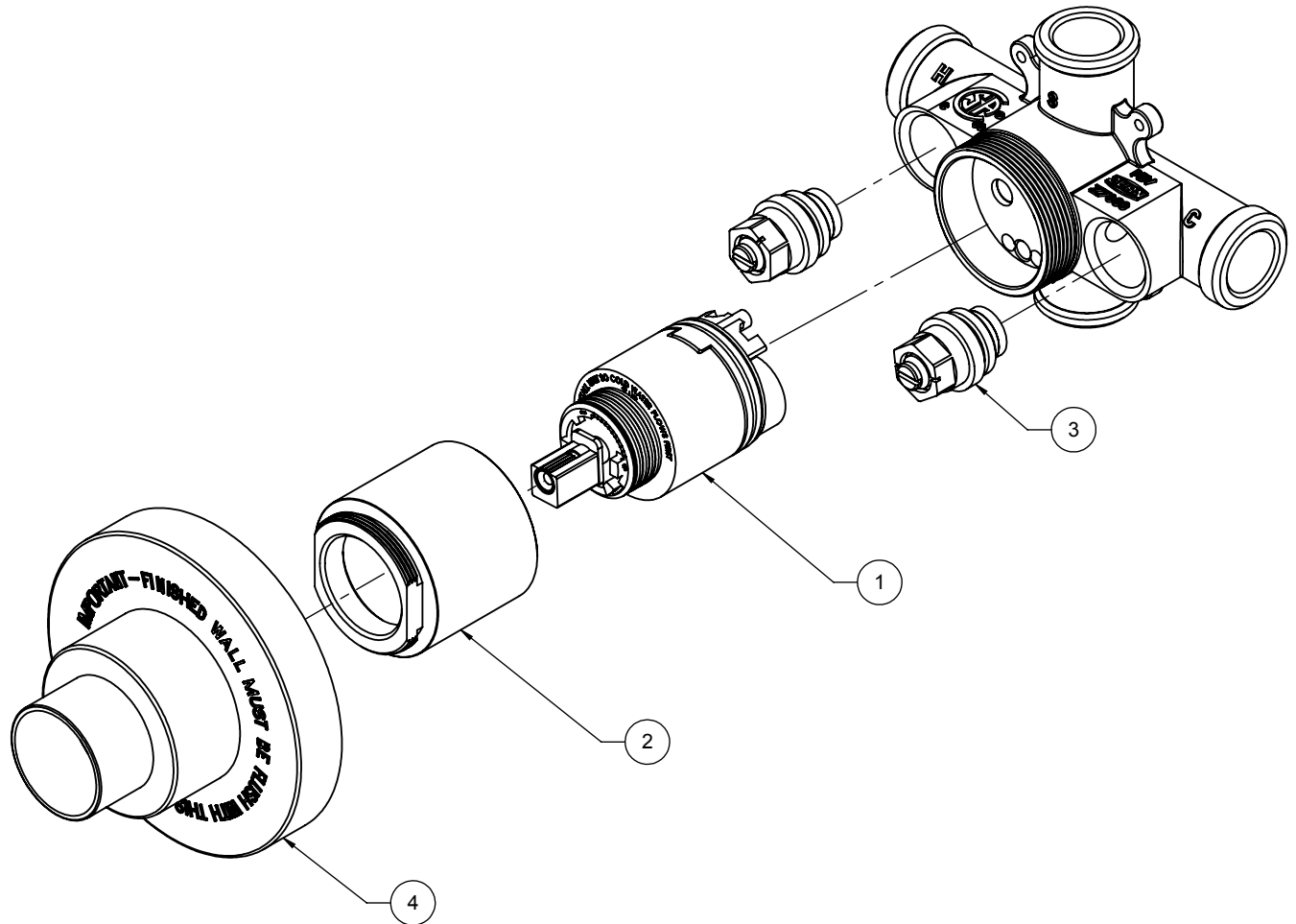
PB-R



DIMENSIONS SHOWN TO NEAREST 1/16"

Replacement Parts

PB-R



ITEM	PART NO.	DESCRIPTION	QTY.
1	CART-PB	CARTRIDGE FOR PB-R	1
2	NUT-PB	CARTRIDGE NUT FOR PB-R	1
3	STOP-PB	INTEGRAL STOP/CHECK FOR PB-R	2
4	MUDGRD-PB	MUDGUARD FOR PB-R	1