



Tel: 714-891-7797  
 Fax: 714-891-2478  
 Toll Free: 800-822-8855  
 www.calfaucets.com

California Faucets®

# PBS / PBTS EXTENSION KIT

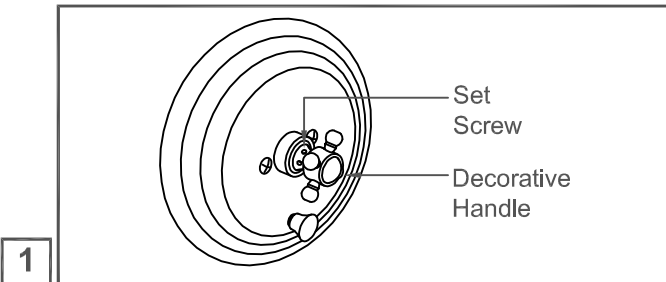
INSTALLATION  
INSTRUCTIONS

PBS-EXT / PBTS-EXT

## IMPORTANT

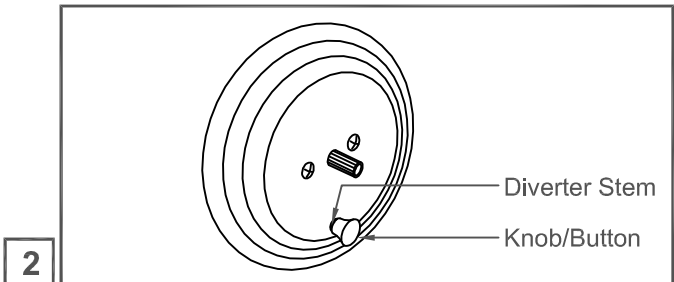
All *California Faucets* products are engineered to provide quality performance provided they are installed and operated properly. To fully enjoy the comfort, safety, and reliability of your new Extension Kit, please install per specifications below.

California Faucets reserves the right to make modification and specification changes at any time. Please visit [www.calfaucets.com](http://www.calfaucets.com) for most current technical data.



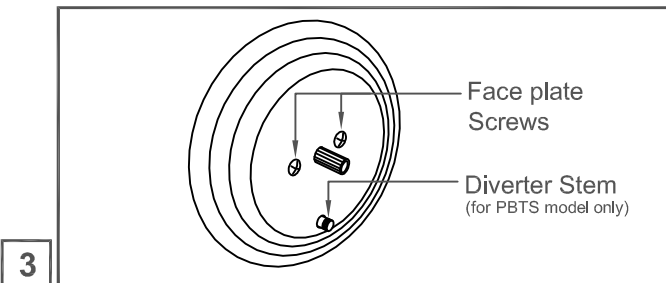
1

Remove the decorative handle by loosening the set screws with an allen wrench.



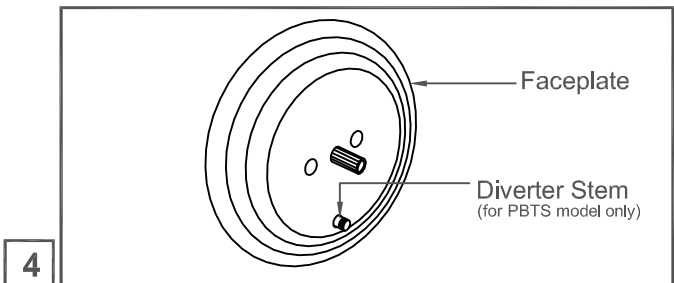
2

For PBTS only: Pull diverter knob/button and hold stem to unscrew the diverter knob/button.



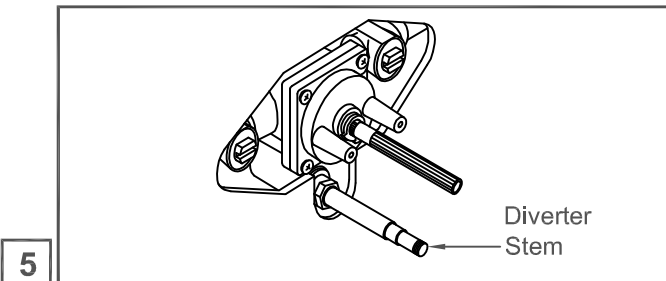
3

Remove the faceplate screws with a phillips head screw driver.



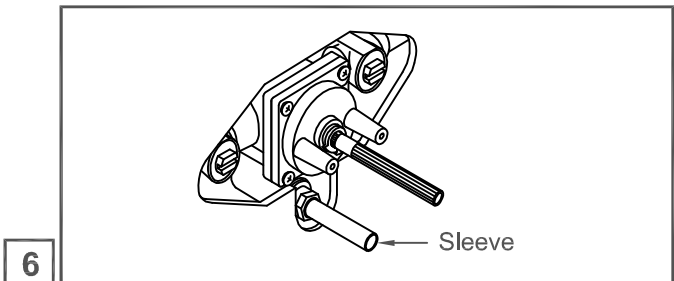
4

Remove the faceplate.



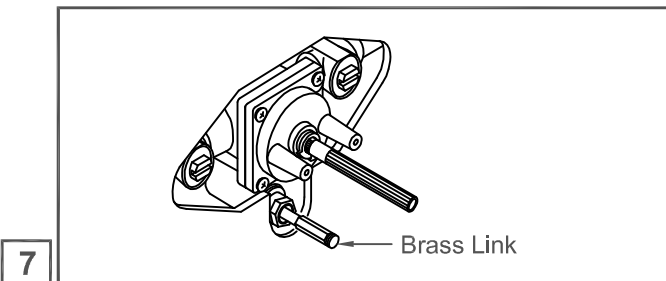
5

For PBTS only : Remove the diverter stem. (DO NOT DISCARD)



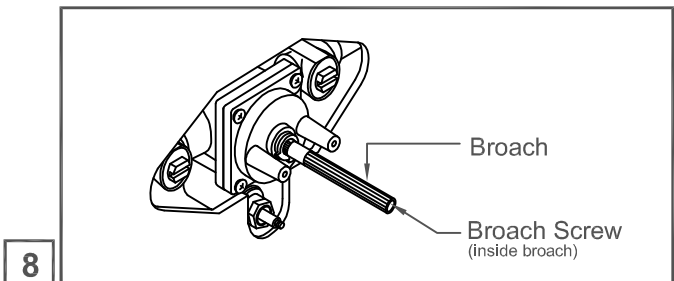
6

For PBTS only: Remove the sleeve and discard.



7

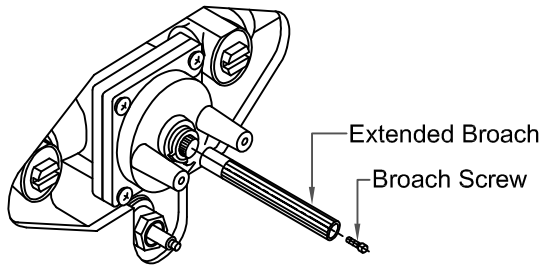
For PBTS only: Remove the brass link and discard.



8

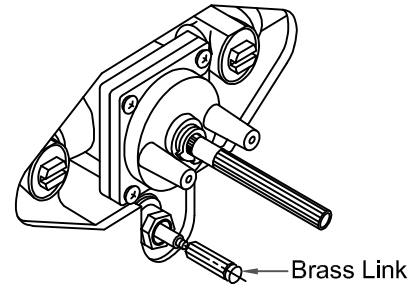
Uninstall the broach by removing the screw inside broach with a small phillips screw driver. (DISCARD BOTH PARTS)

9



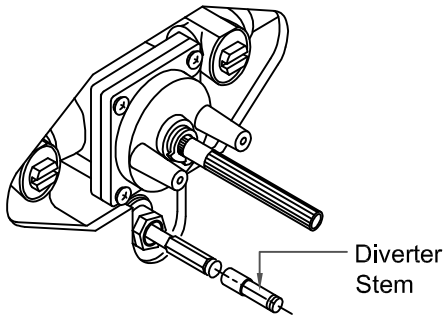
Install the new extended broach and new screw, then tighten firmly with small phillips screw driver.

10



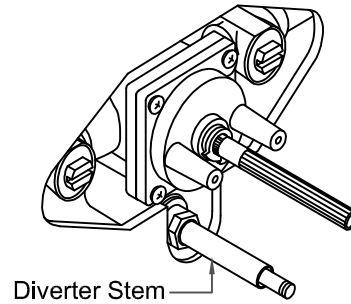
For PBTS only: Thread on the new extended brass link.

11



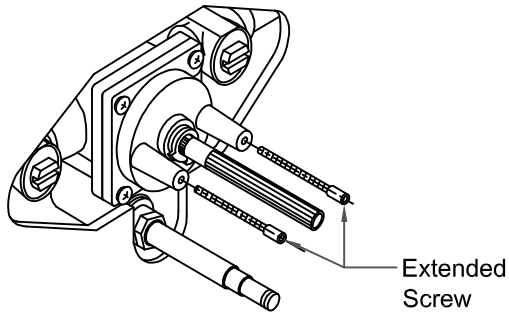
For PBTS only: Reinstall the diverter stem.

12



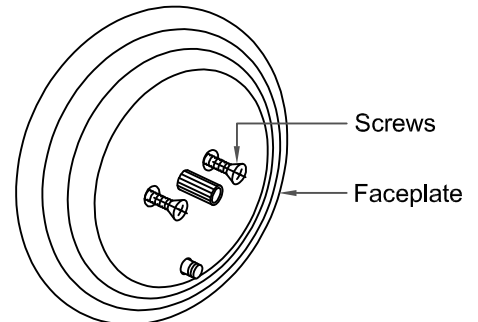
For PBTS only: Thread on the new extended sleeve.

13



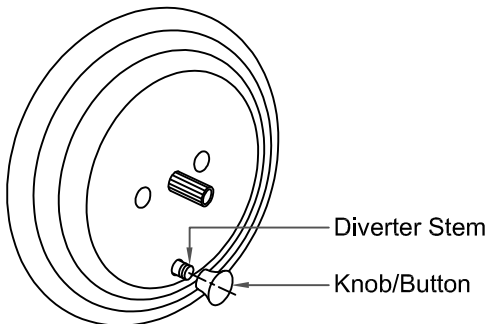
Thread on the extension screws.

14



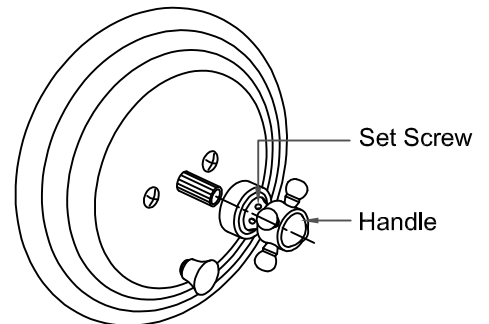
For PBTS only: Reinstall the faceplate with the phillips head screws.

15



For PBTS only: Reinstall the knob/button onto the diverter stem.

16



Reinstall the decorative handle and tighten the set screws.

### Repair Kit Parts

- 1 Broach Extended (1x)
- 2 Broach Screw (1x)
- 3 Brass Link Extended (1x)
- 4 Sleeve Extended (1x)
- 5 Extension Screws (2x)

(NOTE: Parts #3 & #4 are for PBTS model only)

