



California Faucets®

Tel: 714-891-7797  
Fax: 714-891-2478  
Toll Free: 800-822-8855  
www.calfaucets.com

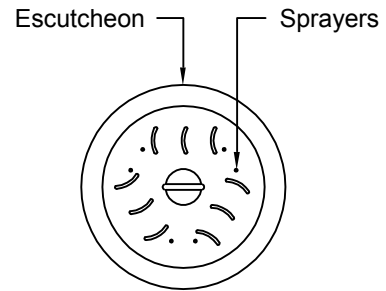
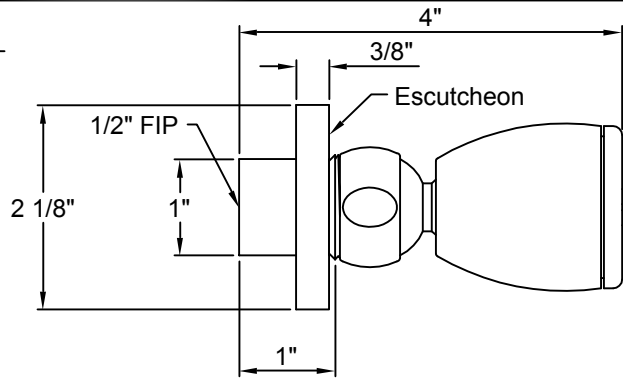
# BODY SPRAYS



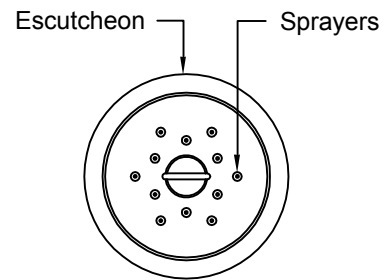
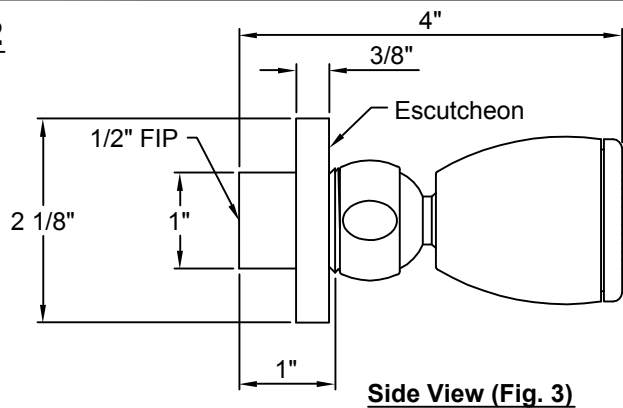
All California Faucets lever and blade handle products are American Disability Act (ADA) compliant.

California Faucets reserves the right to make modification and specification changes at any time. Please verify dimensions prior to installation. Visit [www.calfaucets.com](http://www.calfaucets.com) for most current technical data.

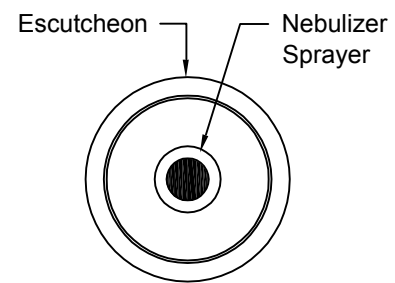
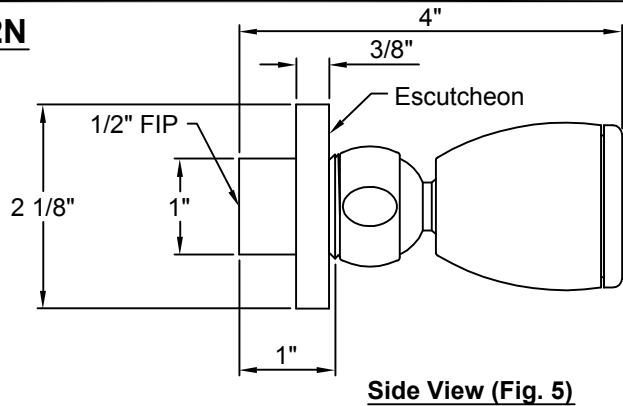
## RB-01



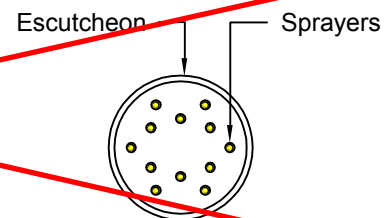
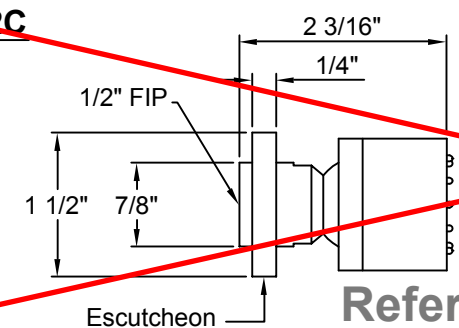
## RB-02



## RB-02N



## ~~RB-02C~~



Refer to RB-02C\_sp\_110112