



California Faucets®

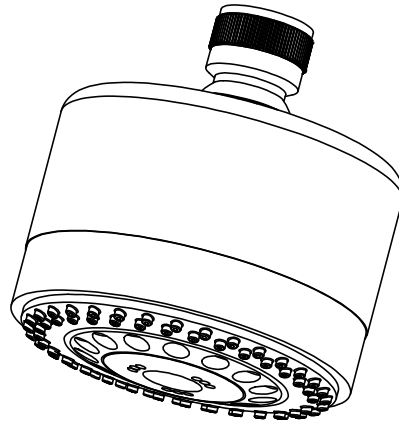
# Showerhead

3-5/16" CONTEMPORARY MULTI-FUNCTION

### Features

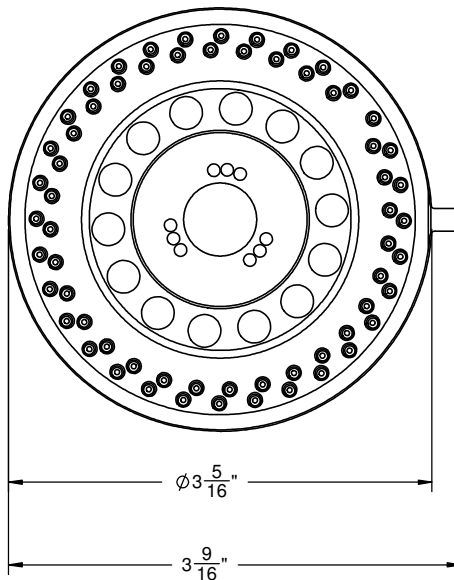
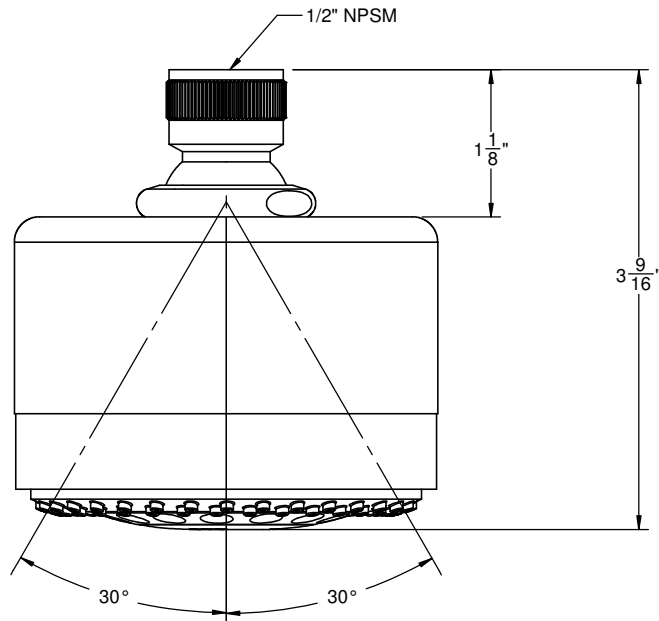
- 1/2" FIP inlet
- Brass construction
- 3-5/16" diameter
- Replace .FR with desired max flow rate:  
SH-08.25 for 2.5 gpm  
SH-08.20 for 2.0 gpm

SH-08.25  
SH-08.20  
SH-08  
WE-SH-08



### Codes/Standards Applicable

- Product meets or exceeds the following:
- ASME A112.18.1/CSA B125.1
  - CEC (2.0 gpm)



ALL DIMENSIONS SHOWN TO NEAREST 1/16"