



California Faucets®

Showerhead

7-13/16" ROSE

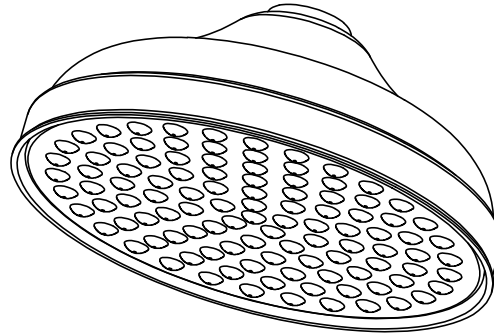
Features

- 1/2" FIP inlet
- For swivel add SH-113, sold separately
- Brass construction
- 7-13/16" diameter
- Self-cleaning rubber jets
- Replace .FR with desired max flow rate:
SH-108.25 for 2.5 gpm
SH-108.20 for 2.0 gpm

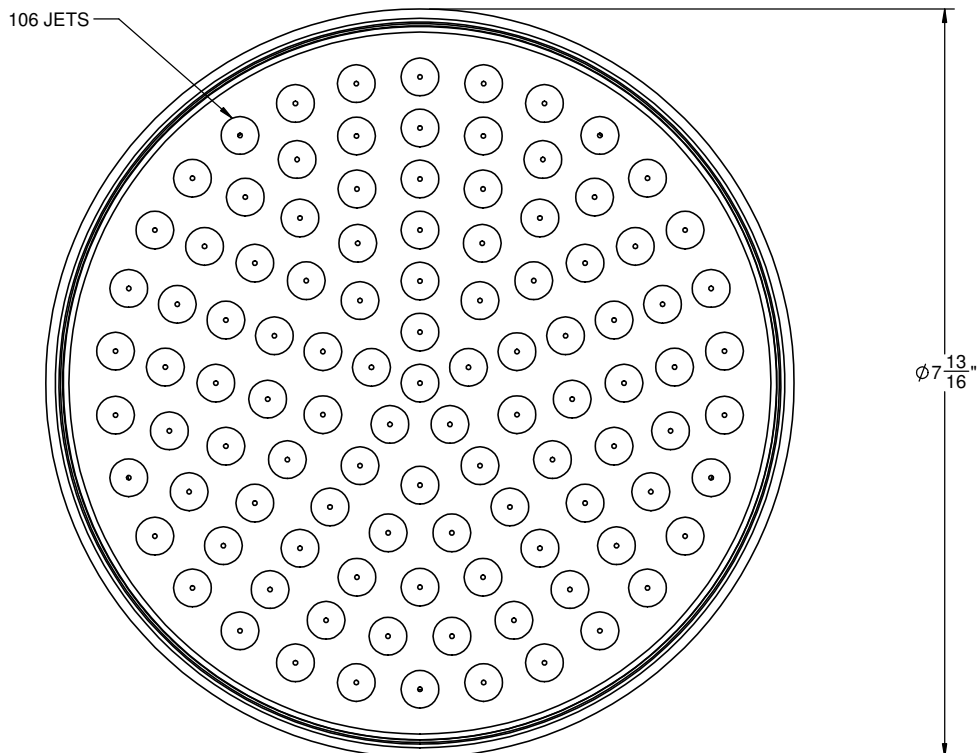
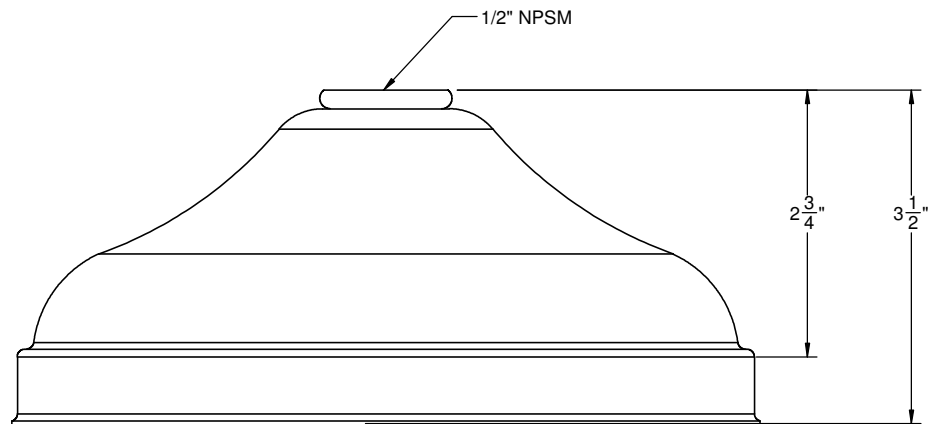
Codes/Standards

Product meets or exceeds the following:

- ASME A112.18.1/CSA B125.1
- CEC (2.0 gpm)



SH-108.25
SH-108.20
SH-108
WE-SH-108



ALL DIMENSIONS SHOWN TO NEAREST 1/16"