



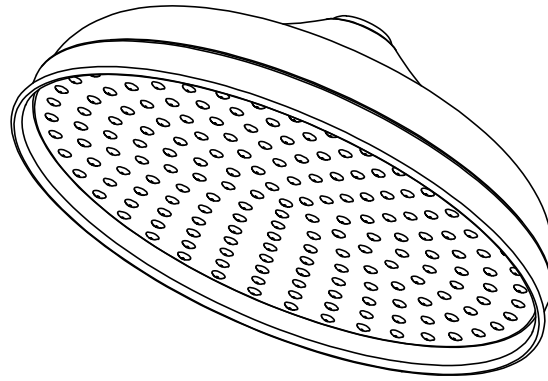
California Faucets®

Showerhead

12" ROSE

Features

- 1/2" FIP inlet
- For swivel add SH-113, sold separately
- Brass construction
- 12" diameter
- Replace .FR with desired max flow rate:
SH-112.25 for 2.5 gpm
SH-112.20 for 2.0 gpm



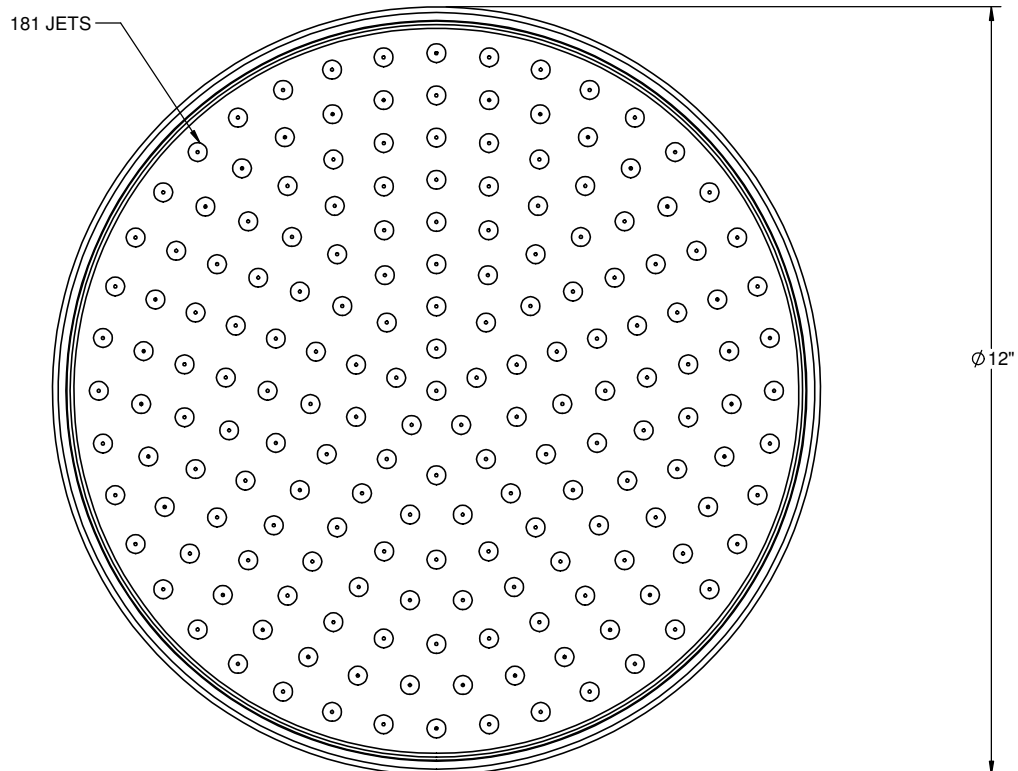
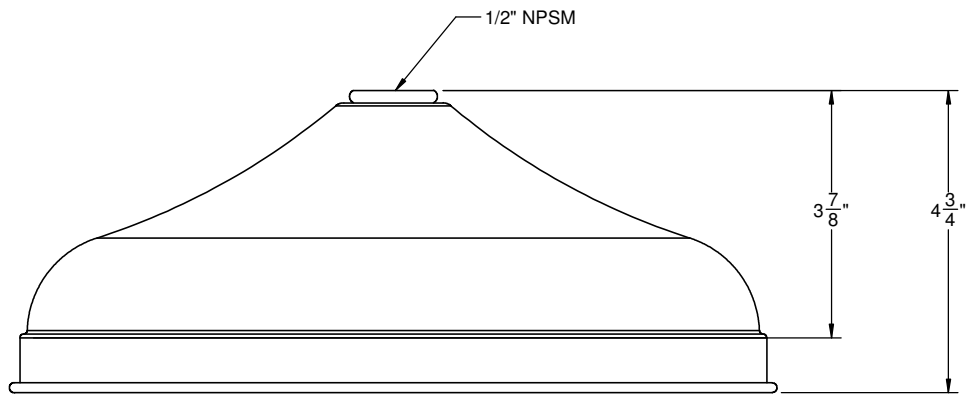
SH-112.25
SH-112.20
SH-112
WE-SH-112



Codes/Standards

Product meets or exceeds the following:

- ASME A112.18.1/CSA B125.1
- CEC (2.0 gpm)



ALL DIMENSIONS SHOWN TO NEAREST 1/16"