



California Faucets®

Showerhead

4-13/16" 42 JET

Features

- 1/2" FIP inlet
- Brass construction
- 4-13/16" diameter
- Self-cleaning rubber jets
- Replace .FR with desired max flow rate:
SH-43.25 for 2.5 gpm
SH-43.20 for 2.0 gpm



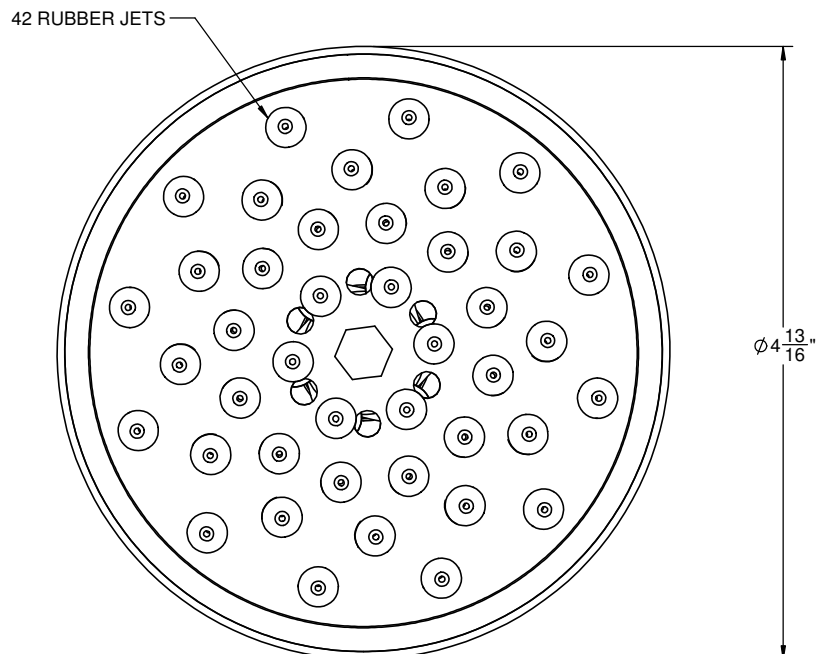
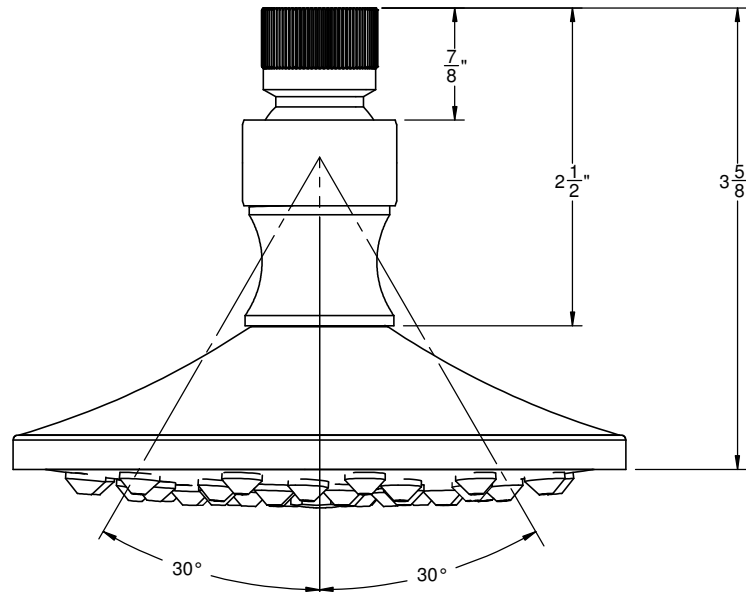
SH-43.25
SH-43.20
SH-43
WE-SH-43



Codes/Standards

Product meets or exceeds the following:

- ASME A112.18.1/CSA B125.1
- CEC (2.0 gpm)



ALL DIMENSIONS SHOWN TO NEAREST 1/16"