



Tel: 714-891-7797
 Fax: 714-891-2478
 Toll Free: 800-822-8855
 www.calfaucets.com

California Faucets®

SINGLE HANDLE VESSEL

V6202-7 / V6202-9

**INSTALLATION
 INSTRUCTIONS**

IMPORTANT

All California Faucets® products are engineered to provide quality performance provided they are installed and operated properly. To fully enjoy the comfort, safety, and reliability of your new Single Handle Vessel Faucet, please follow the instructions below.

California Faucets reserves the right to make modification and specification changes at any time. Please visit www.calfaucets.com for most current technical data.

All lavatory faucets meet A112.18.1M - 1.5 gpm/5.68 L/min.

SVLH-R

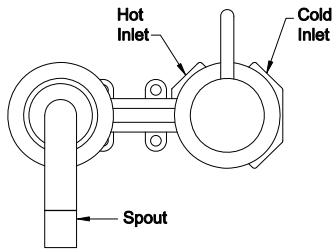


Fig. 1 Front View

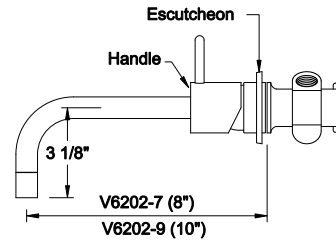


Fig. 2 Side View

*****NOTE: SHUT OFF WATER SUPPLY BEFORE BEGINNING INSTALLATION*****

1

SVLH-R

For Horizontal Installation. (Fig. 3)
 Install bracing (2x4 stud recommended) at required height and depth, so that the Valve Cartridge Post projects 1 1/2" min. to 1 3/4" max. from finished wall. (See Fig. 4).
 Spout outlet must be located on the left side.
 NOTE: Valve cannot be reversed. To prevent rocking movement, valve must be secured with screws so body is tight and flush against flat surface of stud.

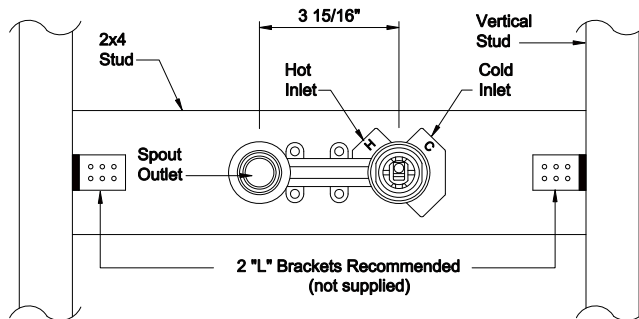


Fig. 3 Front View

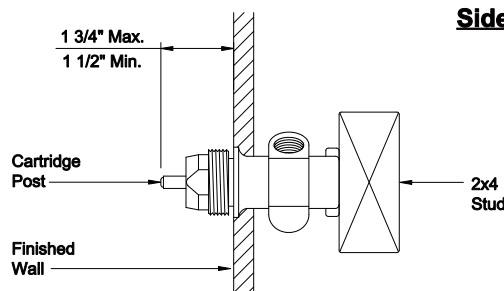


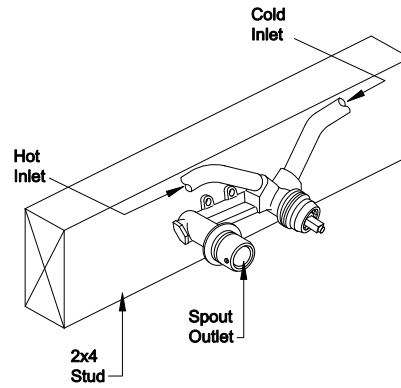
Fig. 4

2

Plumb supply lines to hot and cold connections on valve body.
 -Hot inlet is marked "H" (**Left side**).
 -Cold inlet is marked "C" (**Right Side**).

IMPORTANT:

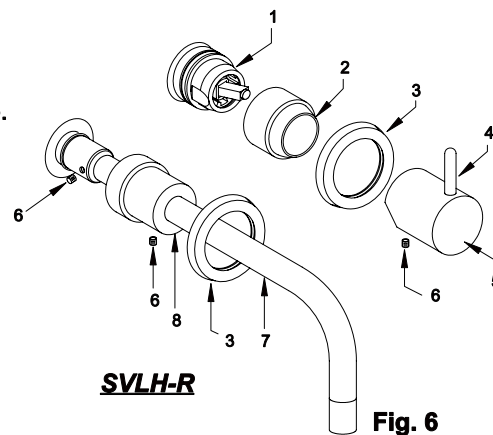
Body is not reversible and must be installed as shown. Do not attempt to install with body upside down or with reversed hot/cold inlet connections. These steps apply to both installation types.

**SVLH-R Fig. 5****3****Install Trim:***Handle*

-Slide cartridge bonnet (#2) onto cartridge nut (#1).
 -Slide one escutcheon (#3) onto cartridge bonnet until flush with finished wall.
 -Install handle post (#5) with lever post (#4) pointing up.
 -Tighten set-screw (#6).

Spout

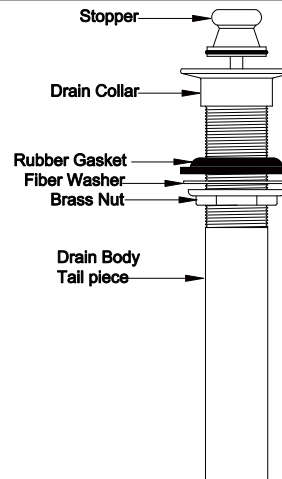
-Slide spout bonnet (#8) onto spout (#7).
 -Screw spout into valve body (left side).
 -Position spout with outlet pointing down. Tighten set screw.
 -Slide spout bonnet backward along spout and onto body. Tighten set screw @ 6 o'clock.
 -Slide second escutcheon (#3) over spout and spout bonnet until flush with finished wall.

**SVLH-R Fig. 6**

Parts List	
1-	Cartridge Nut (x1)
2-	Cartridge Bonnet (x1)
3-	Escutcheon (x2)
4-	Handle Lever (x1)
5-	Handle Post (x1)
6-	Set Screw (x2)
7-	Spout (x1)
8-	Spout Bonnet (x1)

4**If supplied, install drain:**

-Separate drain collar from Lift & Turn assembly.
 -Apply silicon caulking to underside of drain collar.
NOTE: Do not use "Plumbers Putty" or any oil based sealants! Use of anything other than silicon caulking will VOID the warranty.
 -Insert drain body from underside through sink, slowly screw on drain collar to stop and gently pull down into sink.
 -Firmly tighten brass nut from below.

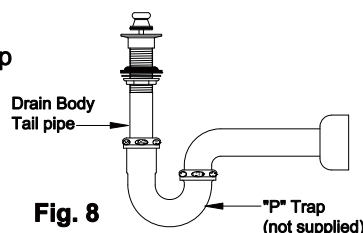


Also available w/ overflow holes

Grid strainer also available

Fig. 7**5****Install "P" trap:**

-Connect your waste "P" trap to the drain body tail pipe.

**Fig. 8**

NOTE: P-trap & drain are not supplied. We recommend genuine Cal-Trim parts available at your authorized California Faucets dealer.
IMPORTANT: Remove aerator, open hot/cold water supplies to flush faucet and replace aerator. Due to sediment in the water it may be necessary on occasion to remove the aerator and clean the screen with a soft bristle toothbrush.