

# StyleTherm™

## TH75- R

### 3/4" Thermostatic Valve Rough Installation Instructions

**CALIFORNIA FAUCETS RECOMMENDS THAT ALL PLUMBING PRODUCTS BE INSTALLED BY A LICENSED PROFESSIONAL**

**IMPORTANT:** Read all instructions prior to installation and provide copy of instructions to consumer.

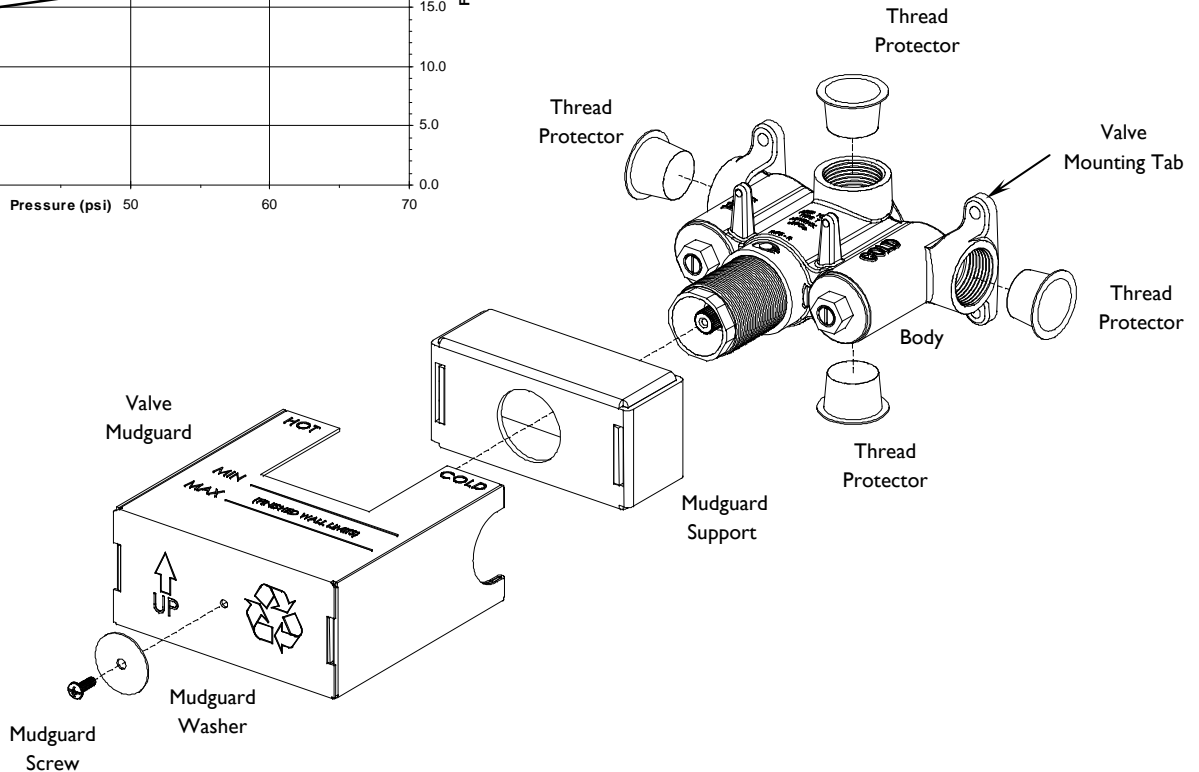
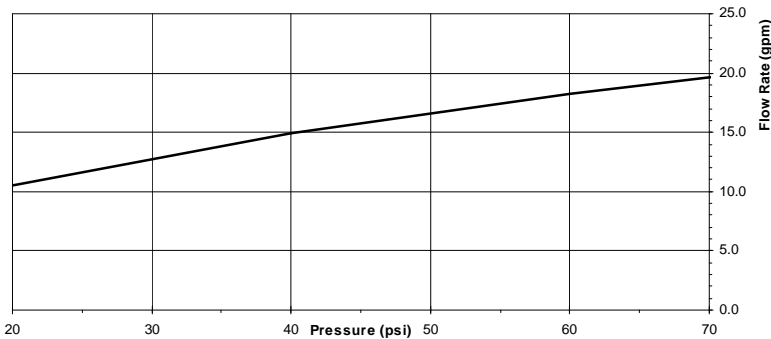
**WARNING:** This valve is factory set to deliver water at 100°F; however, it is the installer's responsibility to verify correct temperature setting to prevent risk on scalding or other severe injury prior to consumer use. The installer is responsible for adjusting maximum temperature setting according to Thermostatic Rough and Thermostatic Trim Installation Instructions.

#### Operating Specifications:

Recommended Supply Pressure: 20 to 70 psi\*†  
Recommended Hot Water Supply Temperature: 120 to 140°F‡  
Nominal Flow Rate @ 60 psi: 18.2 gpm

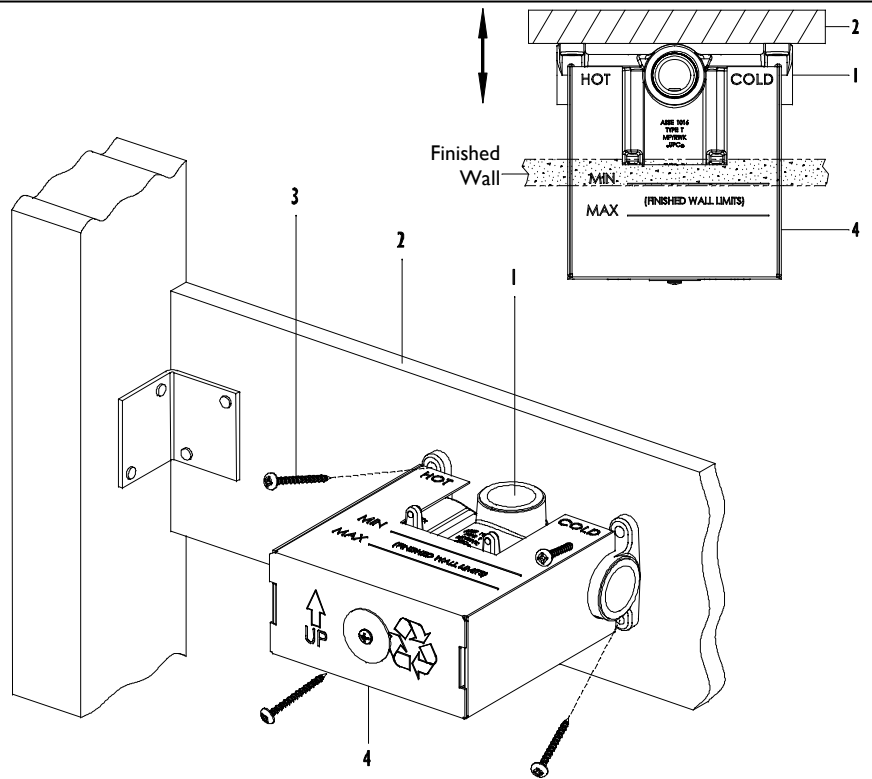


\* Operating pressures between hot and cold supplies should vary no more than 30 psi.  
† If water pressure exceeds 70 psi, install a Pressure-Reducing Valve (RPV).  
‡ Follow all applicable local plumbing codes when setting the temperature on the water heater.



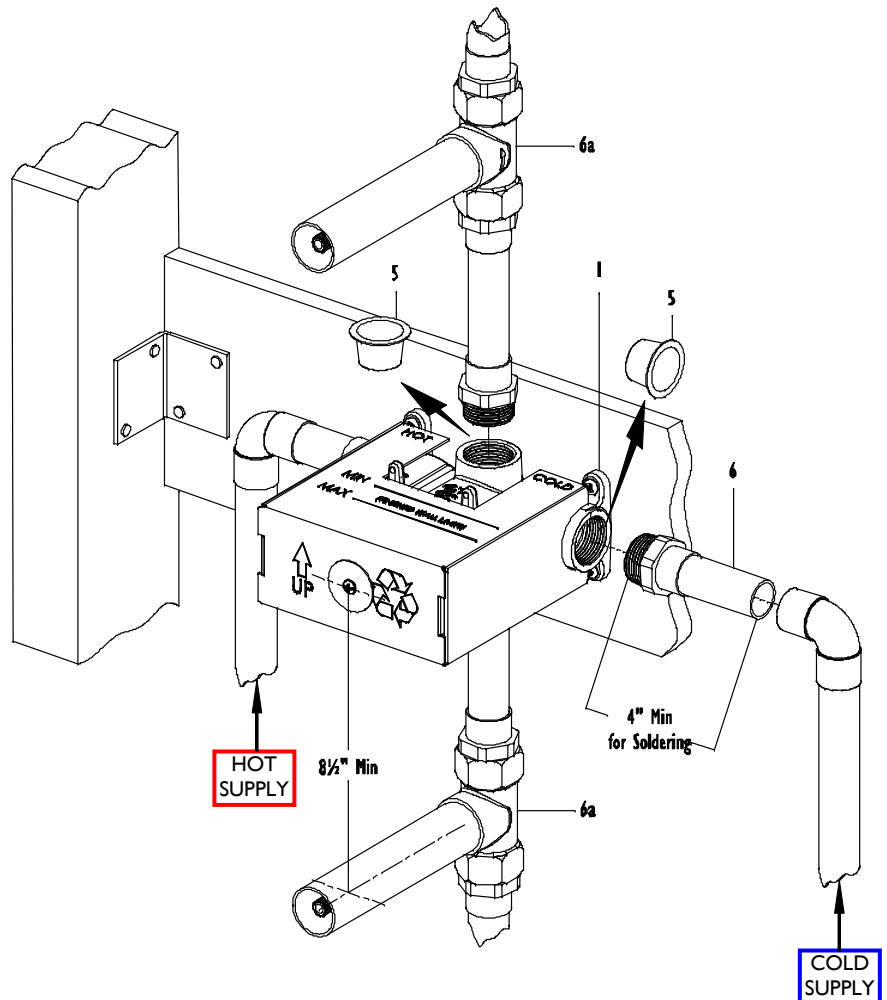
## 1 INSTALLING VALVE TO FRAME

- Determine the desired location for the valve, construct suitable stud, and support framing
- Attach VALVE (1) to CROSS SUPPORT (2) by using SCREWS (3) (not supplied) as shown
- The valve should be level in HORIZONTAL, VERTICAL and PARALLEL to wall
- Placement of VALVE (1) and CROSS SUPPORT (2) within the wall shall be determined by the MIN/MAX Limits shown on MUDGUARD (4)
- For complete detailed VALVE (1) dimensions see **5 ROUGH-IN DIMENSIONS**



## 2 WATER CONNECTIONS

- Remove and discard THREAD PROTECTORS (5)
- Pre-assemble FITTINGS (6) prior to attaching to VALVE (1)
- Apply thread sealant to all FITTING (6) threads and attach to VALVE (1)
- Attach “COLD” INLET to COLD SUPPLY and “HOT” INLET to HOT SUPPLY. **All soldering of FITTINGS (6) shall be performed a minimum of 4” away from VALVE (1)**
- Install VOLUME CONTROL VALVES (6a) (not included) a minimum of 8½” from VALVE (1). Perform all other required connections to output device(s) (i.e. showerhead, handshower, etc...)
- Turn on water supply and check for leaks



**IMPORTANT:** Flush supply lines prior to installation to prevent damage and malfunction of thermostatic cartridge.

**IMPORTANT:** Cold water supply must be connected to inlet marked “COLD” and hot water supply must be connected to inlet marked “HOT”.

**CAUTION:** This valve contains plastic and rubber components. Do not sweat or braze directly to the valve body. Do not apply excessive heat to the valve body when you make solder connections. Do not apply flux or acids directly to the valve, as damage to the seals, plastic components, and trim finish may result.

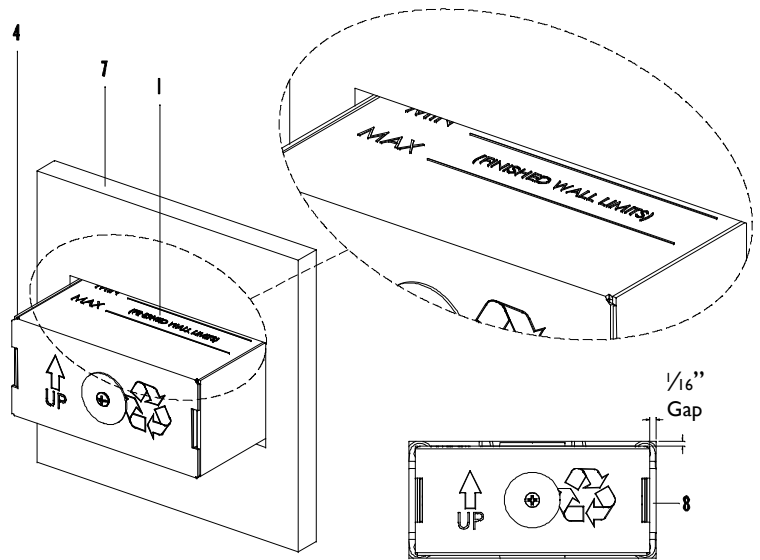
**CAUTION:** Inlet and outlet threaded joint connections should be made with plumbers PTFE tape or liquid sealant. Oil-based, non-setting compounds should not be used.

**WARNING:** Forcibly rotating thermostatic cartridge stem prior to installing handle trim, will damage cartridge and void warranty.

### 3

## FINISHED WALL

- VALVE (1) shall be located in framed wall so that FINISHED WALL (7) falls within the MIN/MAX limits stated on MUDGUARD (4)
- The Maximum GAP (8) between FINISHED WALL (7) and MUDGUARD (4) shall be no more than 1/16" to allow for proper trim coverage
- These finished wall requirements are necessary for proper fit of trim as described in TO-THN-XX & TO-THCN-XX 3/4" Thermostatic Trim Installation Instructions

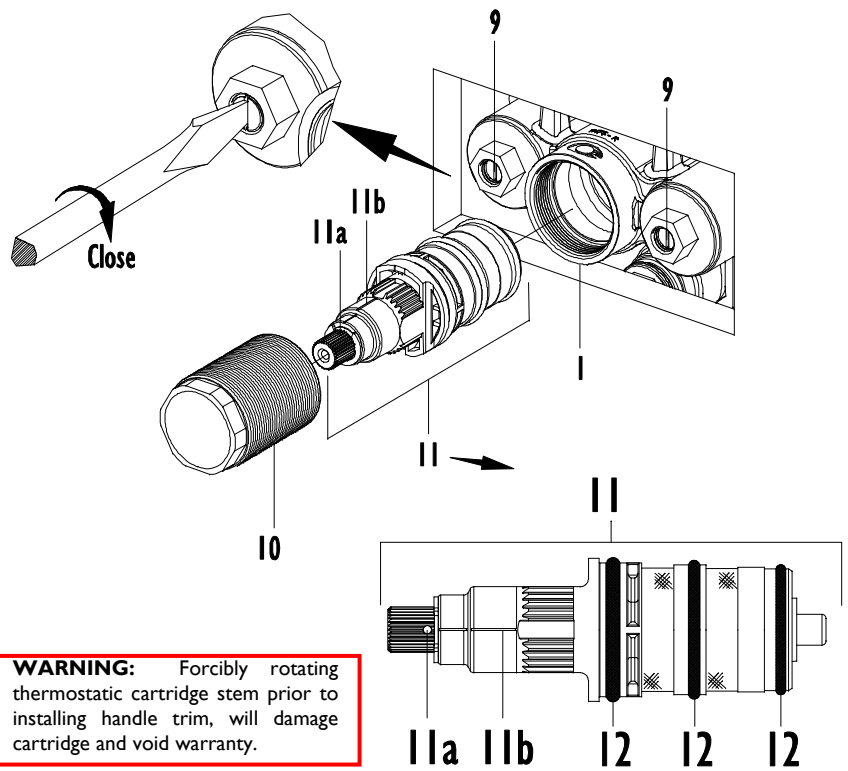


### 4

## MAINTENANCE

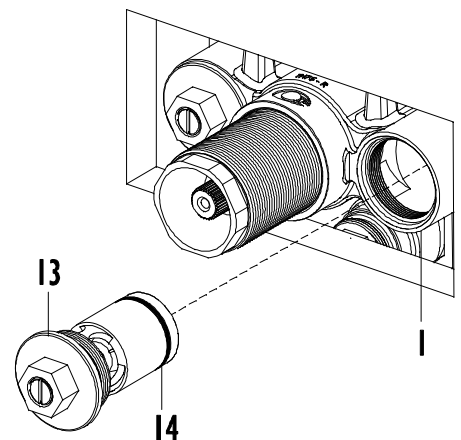
### Thermostatic Cartridge Service

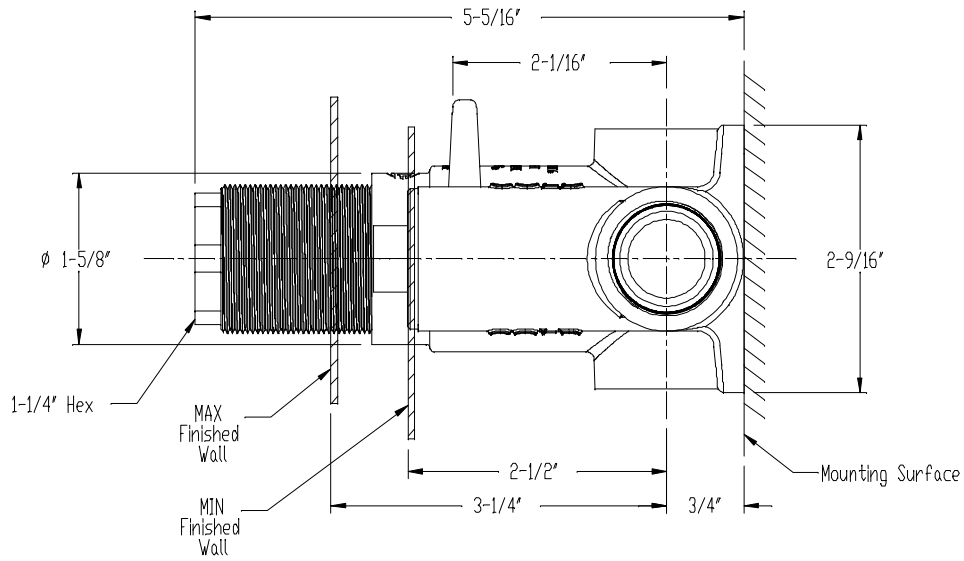
- Shut off water supply to thermostatic cartridge by turning hot & cold SERVICE STOP SCREW (9) clockwise (inward) until screw stops
- Remove CARTRIDGE NUT (10) from the BODY (1)
- Gently pull THERMOSTATIC CARTRIDGE (11) out of BODY (1) (rotating cartridge while pulling may assist in removal)
- Rinse cartridge screens under running water to remove any possible debris
- Prior to installing THERMOSTATIC CARTRIDGE (11) into BODY (1), apply a thin film of non-petroleum based grease onto O-RING (12)
- Align THERMOSTATIC CARTRIDGE STEM (11a) indentation or ink line with THERMOSTATIC CARTRIDGE GROOVE (11b) and insert THERMOSTATIC CARTRIDGE (11) into BODY (1) with THERMOSTATIC CARTRIDGE GROOVE (11b) straight up at 12 o'clock position
- Tighten CARTRIDGE NUT (10) to 10 ft-lbs
- Open water supply to thermostatic cartridge by turning hot & cold SERVICE STOP SCREW (9) counter-clockwise (outward) until screw stops



### Check Valve Service

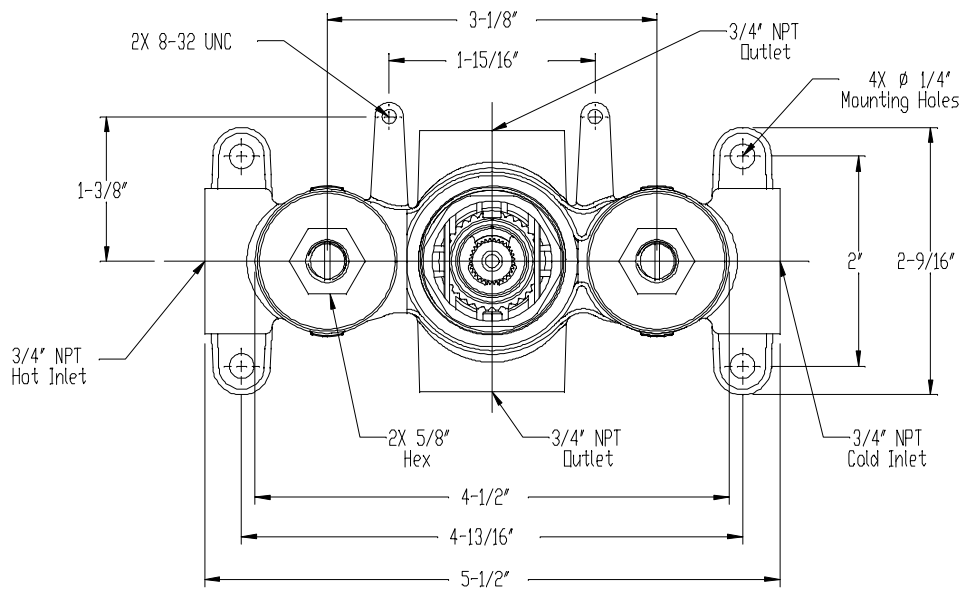
- Shut off water supply to valve inlets at main or valve upstream from BODY (1)
- Remove CHECK VALVE (13) from BODY (1)
- Rinse CHECK VALVE (14) under running water
- Prior to installing CHECK VALVE (13) into BODY (1), apply a thin film of non-petroleum based grease onto O-RING (14)
- Tighten CHECK VALVE (13) to 10 ft-lbs





Side View

Front View



All Dimensions Shown to Nearest 1/16"

[www.calfaucets.com](http://www.calfaucets.com)

5271 Argosy Ave. Huntington Beach, CA 92649

800-822-8855