



California Faucets®

Descanso™

ROMAN TUB HANDSHOWER & DIVERTER TRIM

Features

- Handshower: 1/2" MIP inlet with self-clean rubber jets
- Handshower: 2.0 gpm (7.6 L/min) max flow rate
- Handshower elbow: 1/2" FIP swivel nut with 1/2" MIP inlet
- Hose: 84" black poly braided hose. Provides durable, quiet & no damage to trim finish during operation
- Solid brass construction
- Over 30 finishes including 15 PVD finishes
- Diverter valve (DDV-R) sold separately

TO-30.15S.20
TO-30K.15S.20
TO-30F.15S.20

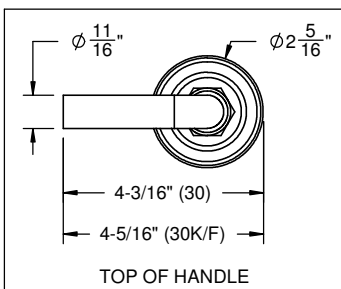
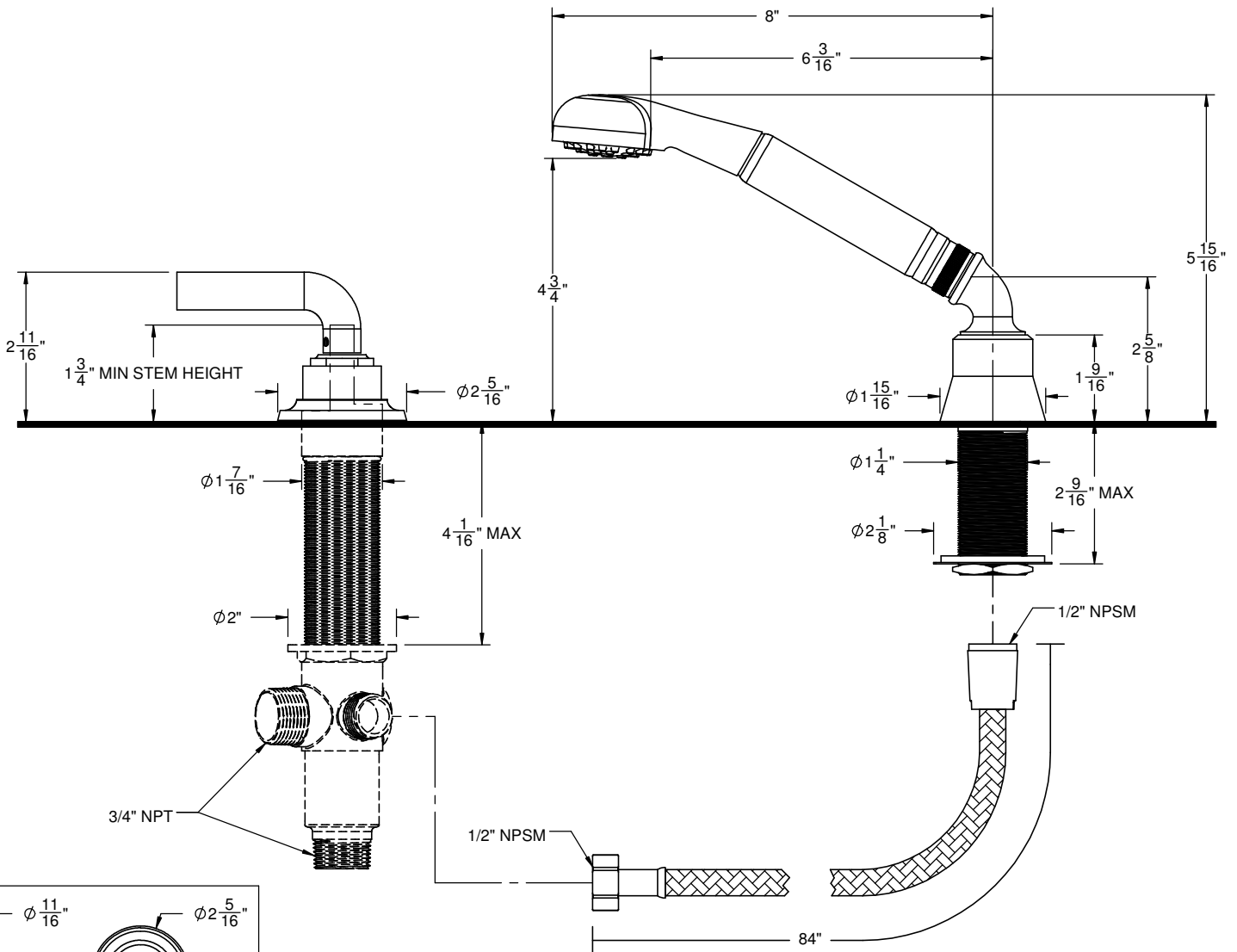


(TO-30.15S.20 SHOWN)

Codes/Standards

Product meets or exceeds the following:

- ASME A112.18.1/CSA B125.1
- CEC/DOE
- ADA compliant



THROUGH-HOLE SPECIFICATIONS			
	MIN	RECOMENDED	MAX
SHOWER:	$\phi 1-1/4"$	$\phi 1-1/4"$	$\phi 1-13/16"$
VALVE:	$\phi 1-7/16"$	$\phi 1-1/2"$	$\phi 1-3/4"$

SPECIFICATIONS SUBJECT TO CHANGE WITHOUT NOTICE

ALL DIMENSIONS SHOWN TO NEAREST 1/16"