



California Faucets®

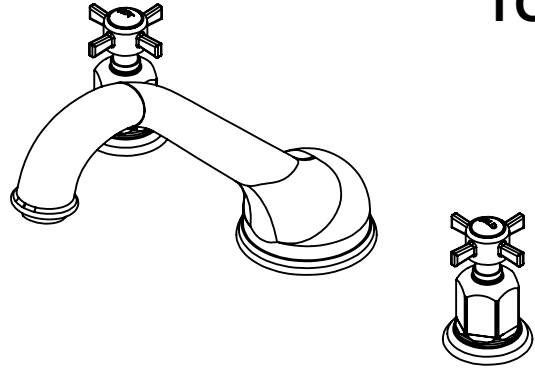
CARDIFF™

ROMAN TUB SET (TRIM ONLY)

Features

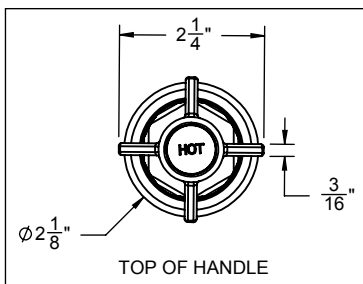
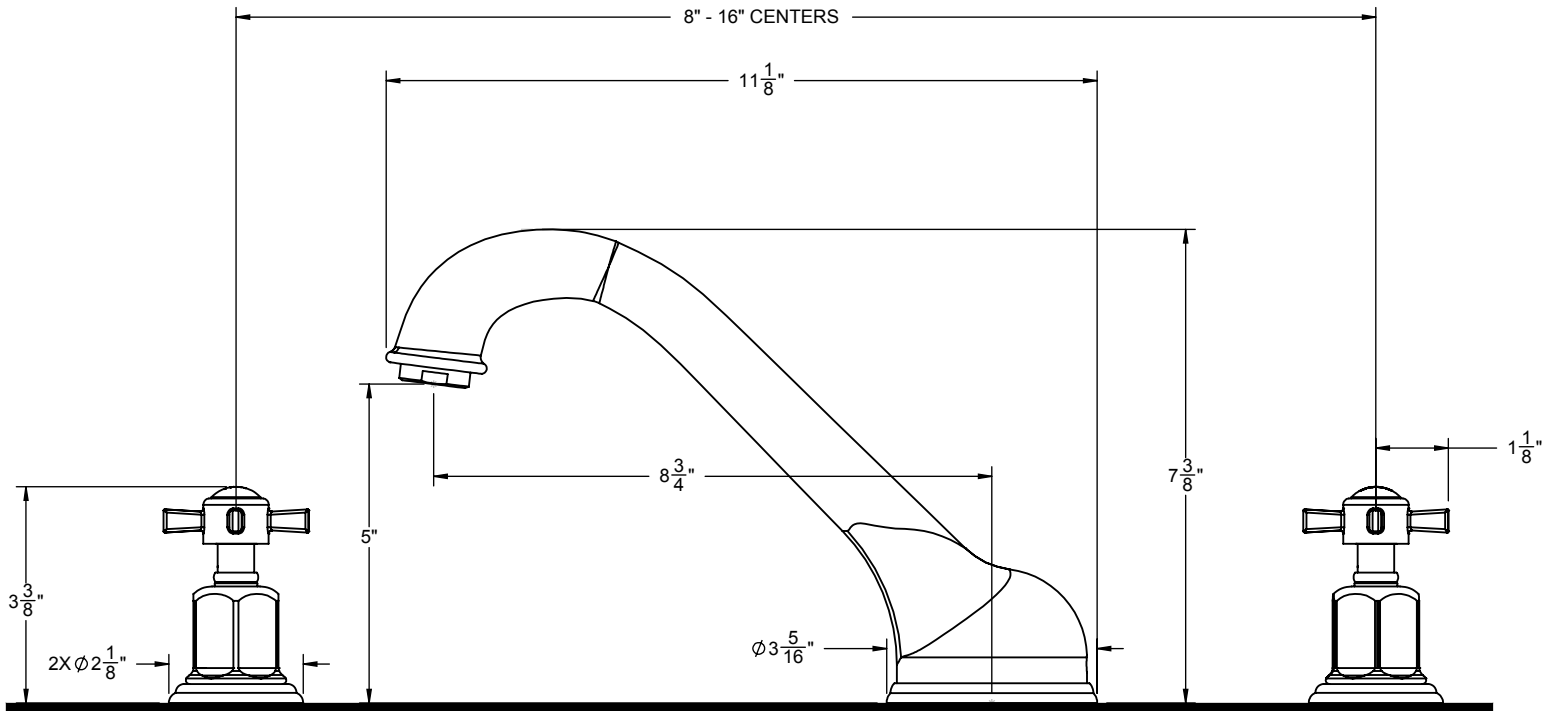
- Over 30 finishes including 15 PVD finishes
- Solid brass construction
- Max flow rate: 16 gpm (60.6 L/min)
- Requires Rough Valve (08-75-99) sold separately

TO-3408



Codes/Standards Applicable

- Meets or exceeds the following at date of manufacture:
- ASME A112.18.2-2011/CSA B125.2-11



THROUGH-HOLE SPECIFICATIONS		
MIN	RECOMENDED	MAX
SPOUT: \varnothing 1-1/4"	\varnothing 1-3/8"	\varnothing 1-1/2"
VALVE: \varnothing 1-1/2"	\varnothing 1-3/4"	\varnothing 1-3/4"

ALL DIMENSIONS SHOWN TO NEAREST 1/16"