



California Faucets®

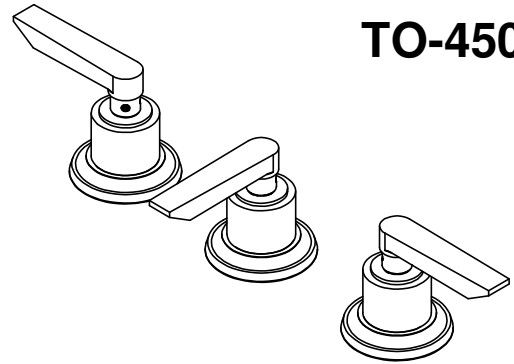
# RINCON BAY™

## 3 HANDLE TUB AND SHOWER TRIM

### Features

- Less head, arm, flange, and spout
- Requires rough-in (3-VR) sold separately
- Solid brass construction
- Over 30 finishes including 15 PVD finishes

### TO-4503L



### Codes/Standards

Meets or exceeds the following at date of manufacture:

- ASME A112.18.1/CSA B125.1
- ADA compliant

#### THRU HOLE SPECIFICATIONS

	MIN	RECOMMENDED
VALVE: Ø	11/16"	1-1/4"

