



California Faucets®

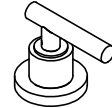
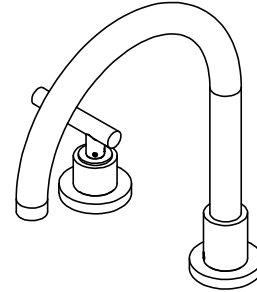
Montara™

ROMAN TUB SET TRIM

TO-6608

Features

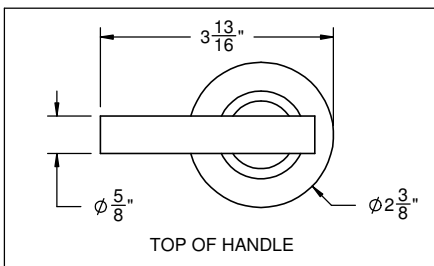
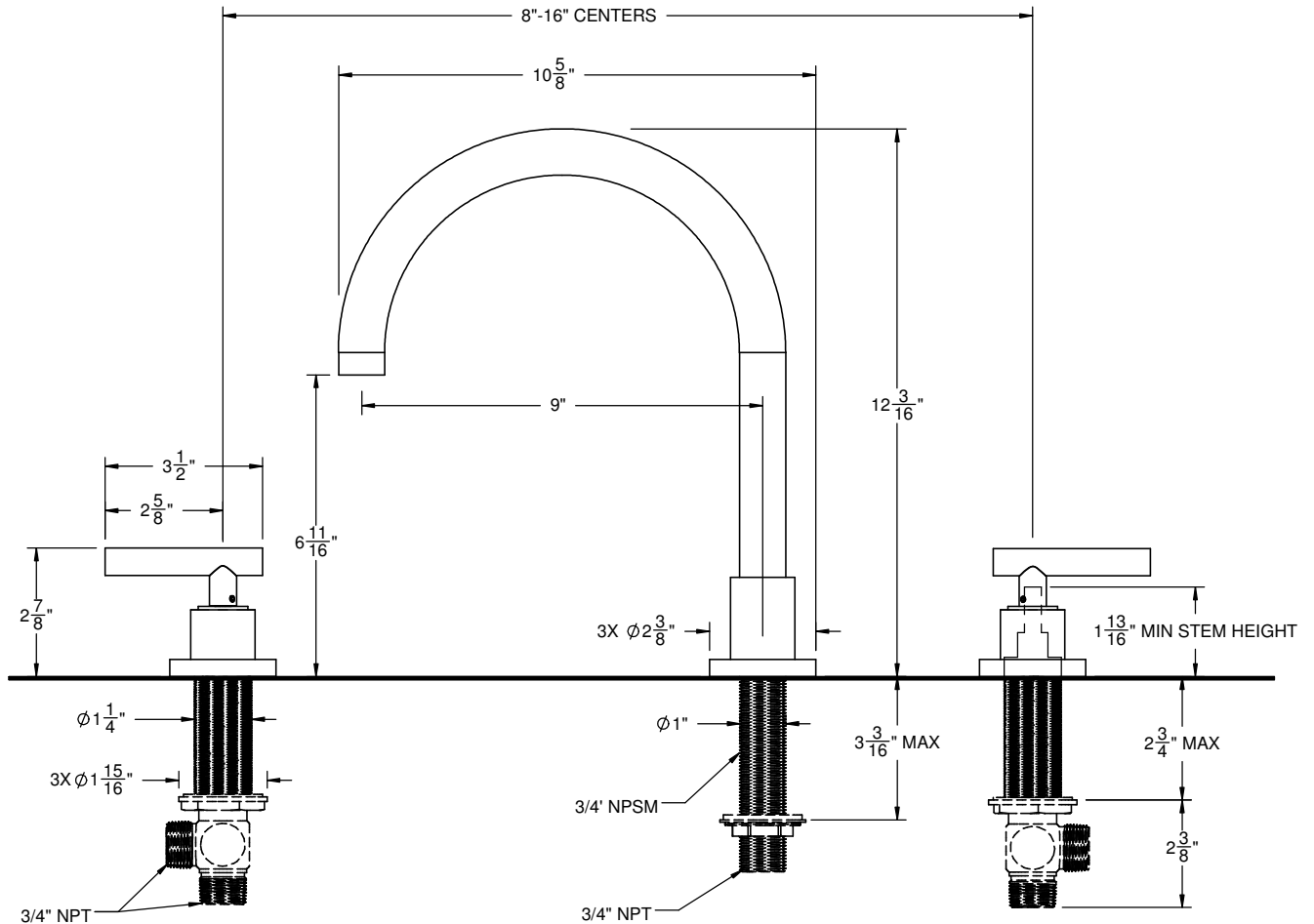
- 9" spout center to center
- Spout has easy Quick connect fitting
- 16 gpm (60.6 L/min) max flow rate
- Solid brass construction
- Rough Valve & Quick Connect (08-75-65) sold separately
- Over 30 finishes including 15 PVD finishes



Codes/Standards Applicable

Product meets or exceeds the following:

- ASME A112.18.1/CSA B125.1
- ADA compliant



THROUGH-HOLE SPECIFICATIONS		
MIN	RECOMMENDED	MAX
SPOUT: Ø1"	Ø1-3/8"	Ø1-5/8"
VALVE: Ø1-1/4"	Ø1-3/8"	Ø1-5/8"

ALL DIMENSIONS SHOWN TO NEAREST 1/16"