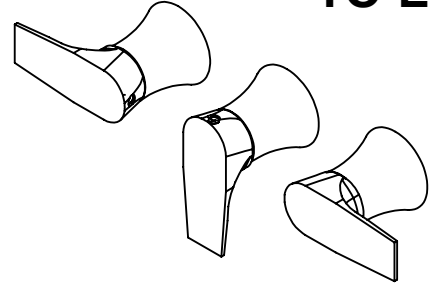




Features

- Over 30 finishes including 14 PVD finishes
- Solid brass construction
- Requires rough valve: 3-VR (sold separately)
- Less head, arm, flange and spout
- For additional product offerings, see www.californiafaucets.com

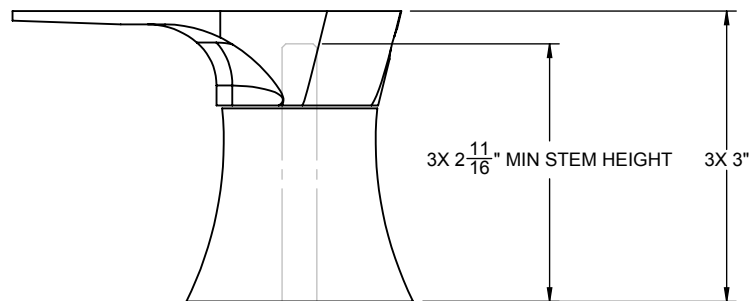
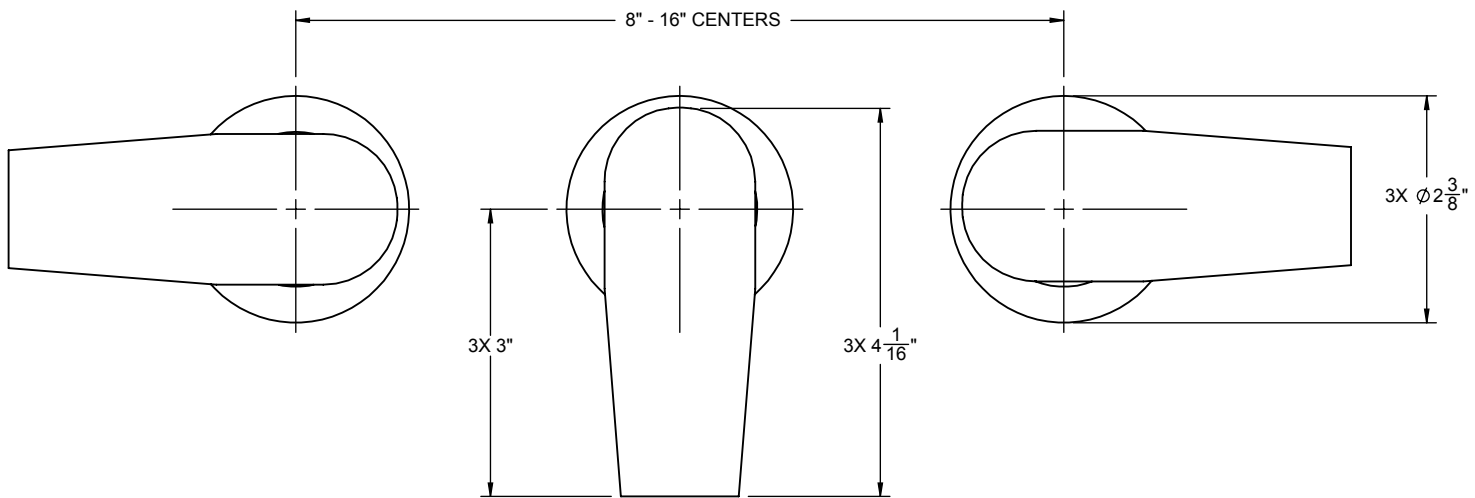
TO-E203L



Codes/Standards Applicable

Meets or exceeds the following at date of manufacture:

- ASME A112.18.1/CSA B125.1



ALL DIMENSIONS SHOWN TO NEAREST 1/16"