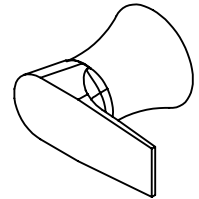
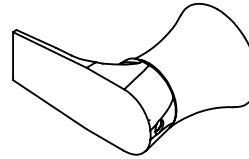




Features

- Over 30 finishes including 14 PVD finishes
- Solid brass construction
- Requires rough valve: 2-VR or VL-R (sold separately)
- Less head, arm, flange, and spout
- For additional product offerings see,

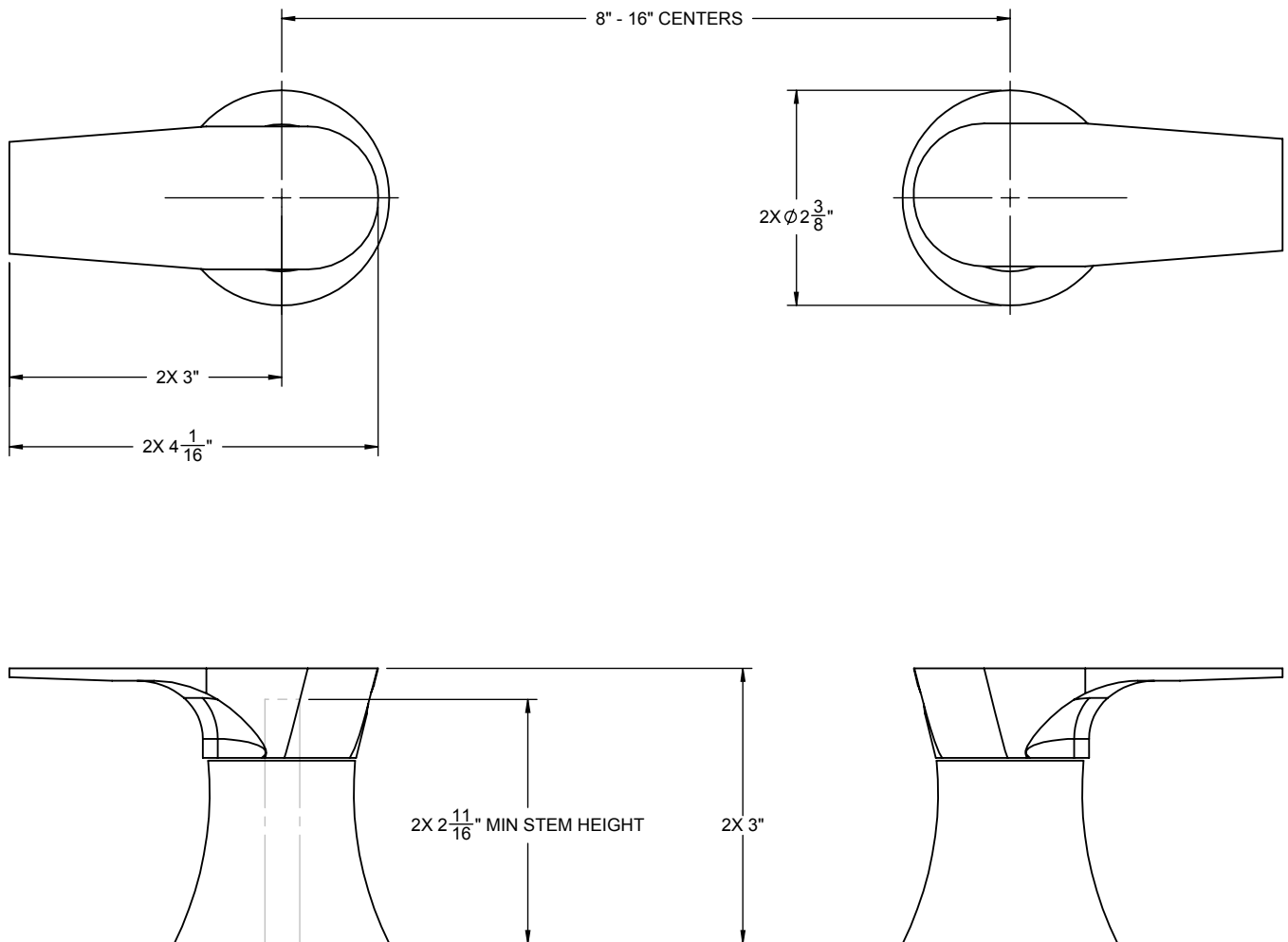
TO-E206L



Codes/Standards Applicable

Meets or exceeds the following at date of manufacture:

- ASME A112.18.1/CSA B125.1



ALL DIMENSIONS SHOWN TO NEAREST 1/16"