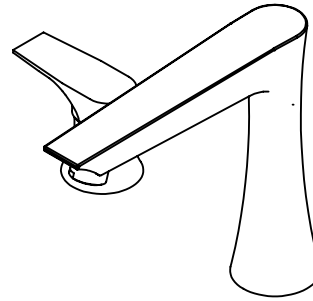


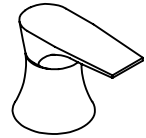


Features

- Over 30 finishes including 14 PVD finishes
- Solid brass construction
- Maximum flow rate: 16 gpm (60.6 L/m)
- Requires Rough Valve: 08-75-99 (sold separately)
- For additional product offerings, see www.californiafaucets.com



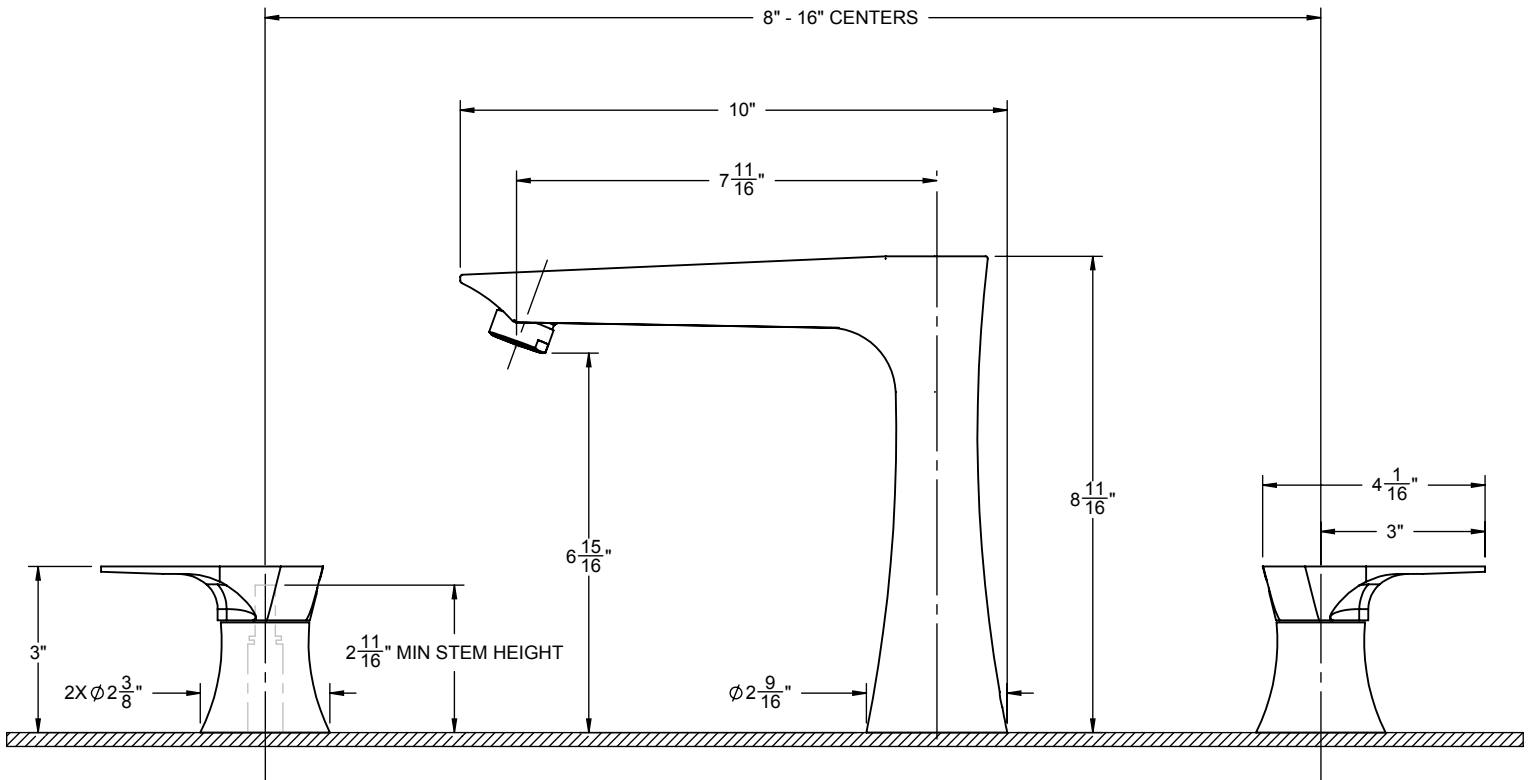
TO-E208



Codes/Standards Applicable

Meets or exceeds the following at date of manufacture:

- ASME A112.18.1/CSA B125.1



THROUGH-HOLE SPECIFICATIONS

	MIN	RECOMENDED
SPOUT:	$\phi 1-1/4$ "	$\phi 1-3/8$ "
VALVE:	$\phi 1-1/2$ "	$\phi 1-3/4$ "

ALL DIMENSIONS SHOWN TO NEAREST 1/16"