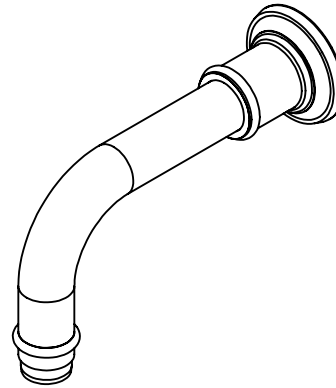




TS-48

Features

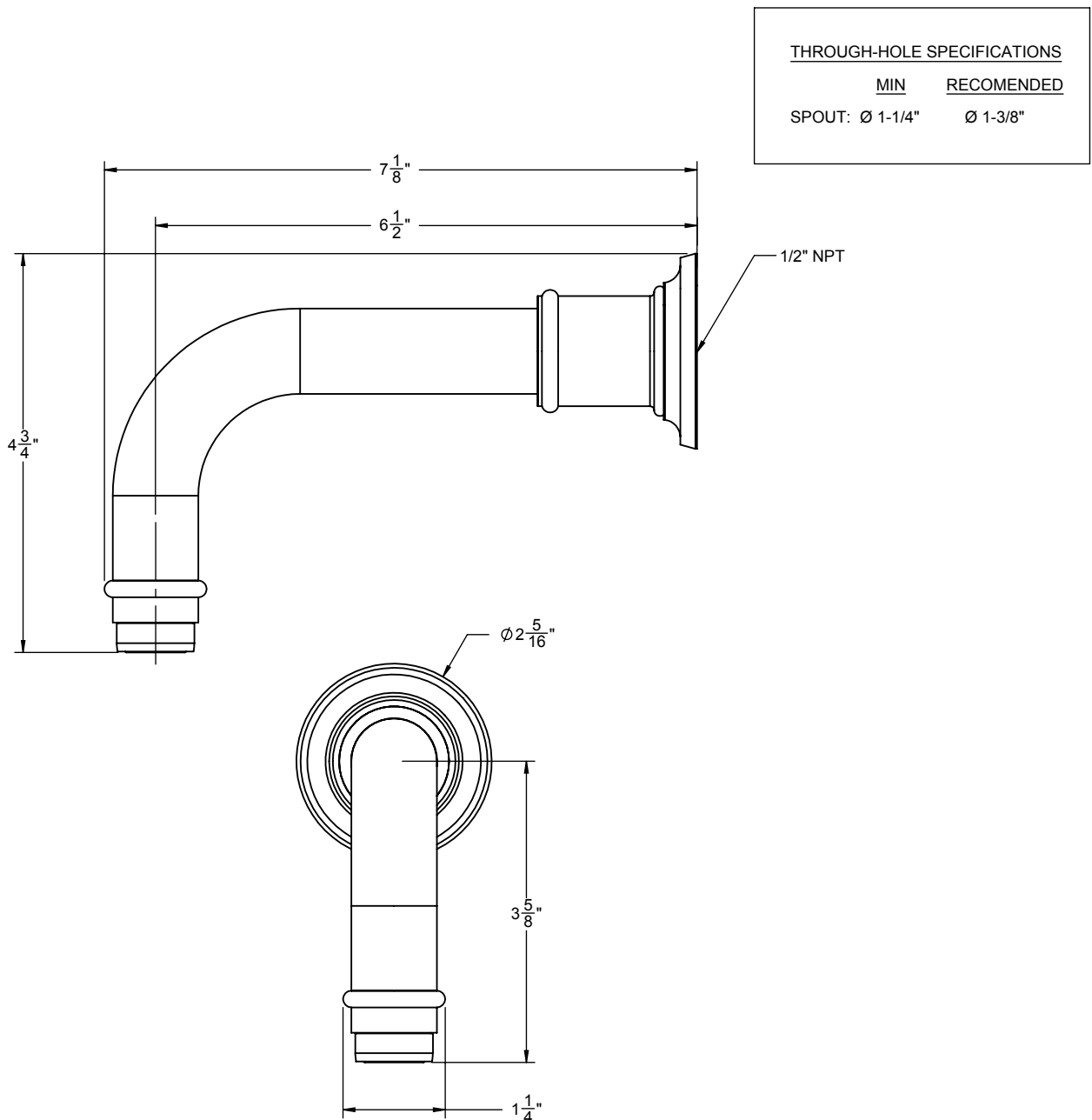
- Over 30 finishes including 14 PVD finishes
- Solid brass construction
- Includes decorative base ring
- Maximum flow rate: 10 gpm (37.9 L/m)
- For use with StyleTherm, 3-VR or 3-VR valves
- For additional product offerings, see californiafaucets.com



Codes/Standards Applicable

Meets or exceeds the following at date of manufacture:

- ASME A112.18.1/CSA B125.1
- NSF 61 and CA / VT lead plumbing law



ALL DIMENSIONS SHOWN TO NEAREST 1/16"