



California Faucets®

# HERMOSA

## TRADITIONAL DECK MOUNT TUB FILLER

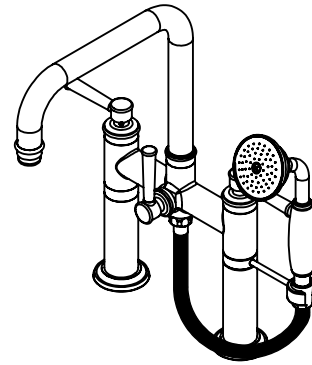
### Features

- Tub filler: Maximum flow rate: 15 gpm (60.6 L/min) at 60 psi
- Handshower: Maximum flow rate: 2.5 gpm (9.5 L/min) or 2.0 gpm (7.6 L/min) for "WE" (water efficient) model
- Rotatable handshower bracket may be placed on COLD or HOT side of body
- 1/4 turn ceramic disc cartridges
- Replace "XX" with desired handle series
- Solid brass construction
- Over 30 finishes including 14 PVD finishes

### Codes/Standards Applicable

Meets or exceeds the following at date of manufacture:

- ASME A112.18.1/CSA B125.1

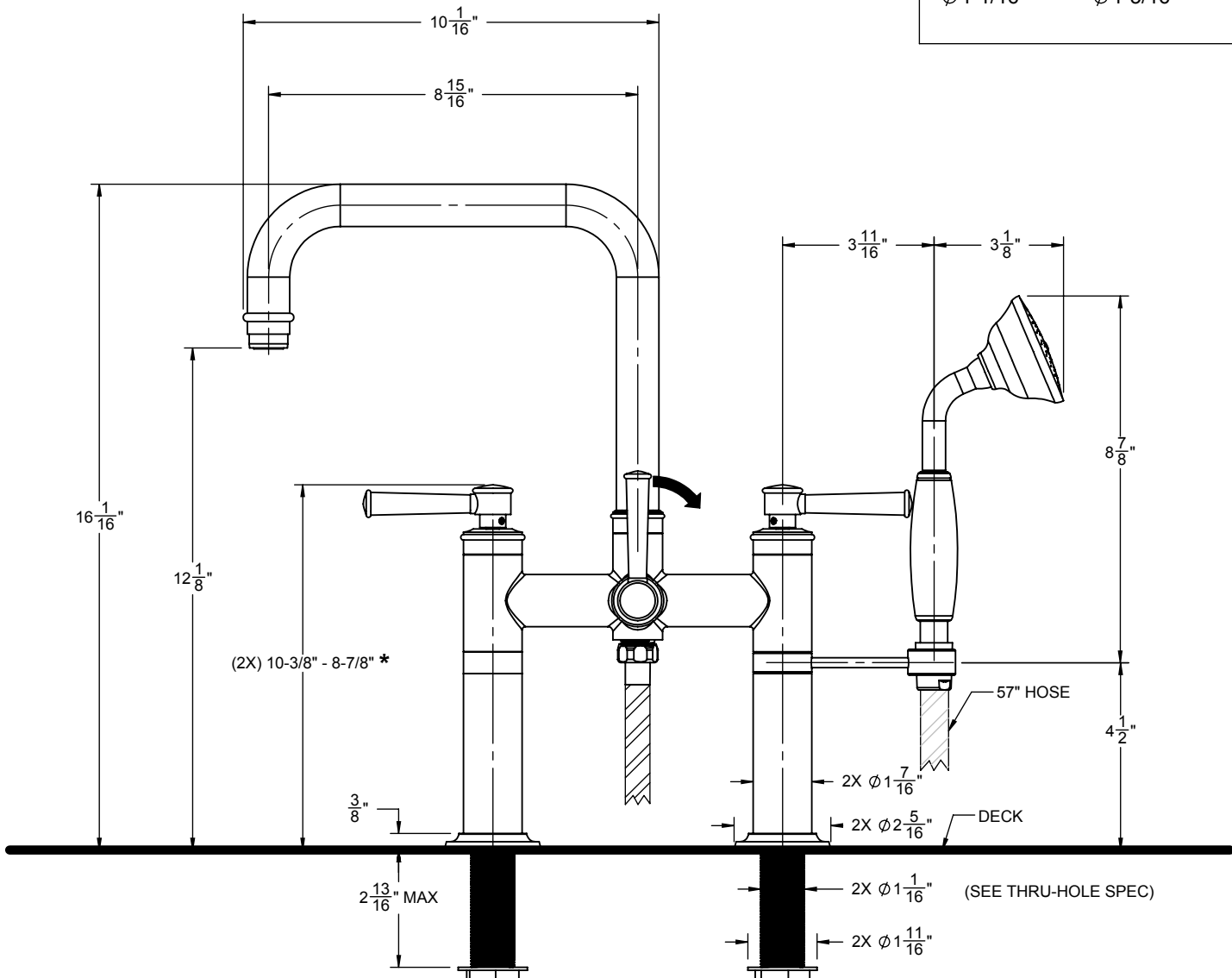


# 1408-XX WE-1408-XX

XX = DENOTES  
HANDLE SERIES

### THROUGH-HOLE SPECIFICATIONS

MIN	RECOMENDED	MAX
Ø 1-1/16"	Ø 1-5/16"	Ø 1-3/8"



\* HEIGHT VARIES BASED ON HANDLE SERIES

ALL DIMENSIONS SHOWN TO NEAREST 1/16"