

California Faucets®

DELUXE WALL MOUNT "TELEPHONE" HAND SHOWER & TUB FILLER

BALBOA™

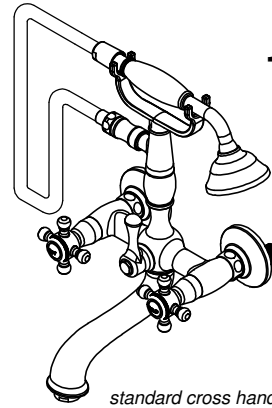
Features

- Tub filler: Maximum flow rate 10gpm (37.9 L/min) @ 60 psi
- Handshower: Maximum flow rate 2.0gpm (7.6 L/min)
- EPA WaterSense Certified handshower
- 1/4 turn ceramic disc cartridges
- Replace "XX" with desired handle series
- Solid brass construction
- Over 30 finishes including 15 PVD finishes

Codes/Standards Applicable

Meets or exceeds the following at date of manufacture:

- ASME A112.18.1/CSA B125.1
- CEC
- ADA compliant (with lever handles)

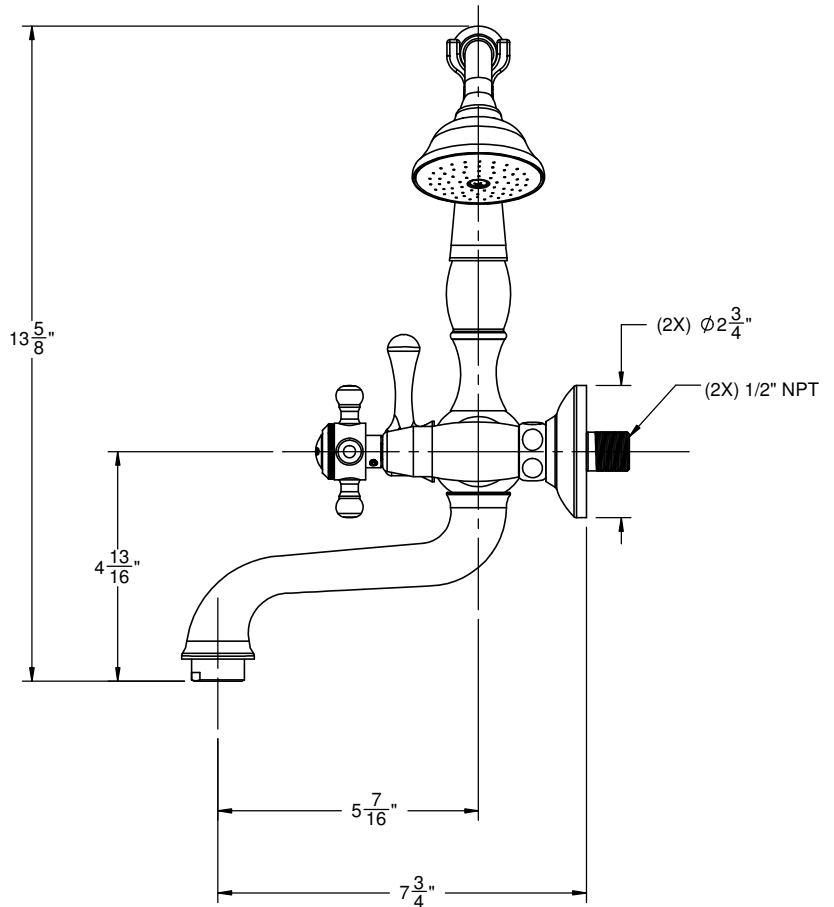
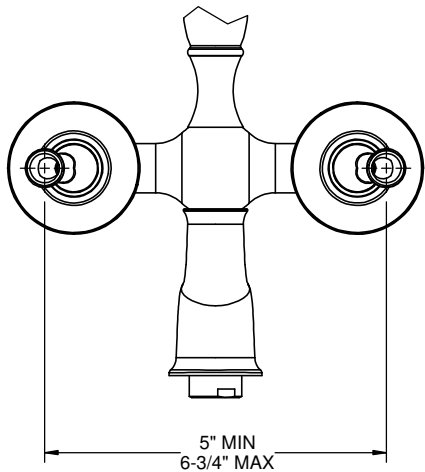
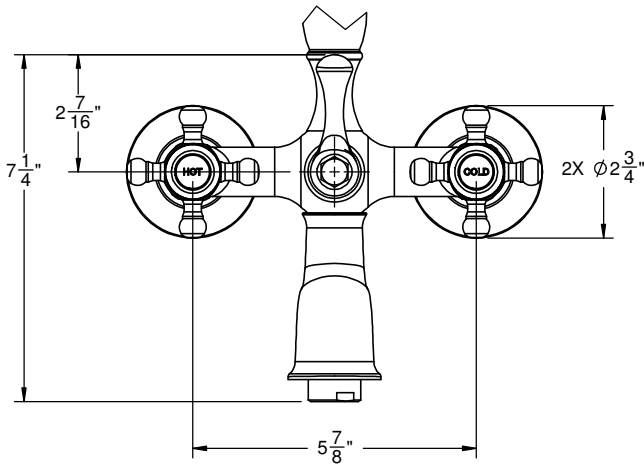


standard cross handles shown

1506-D-XX.20
1506-D-XX.13M.20



XX = DENOTES HANDLE STYLE



THROUGH-HOLE SPECIFICATIONS		
MIN	RECOMENDED	MAX
VALVE: Ø 13/16"	Ø 1"	Ø 2-1/2"

ALL DIMENSIONS SHOWN TO NEAREST 1/16"