



9176-IP-3

Suggested Uses

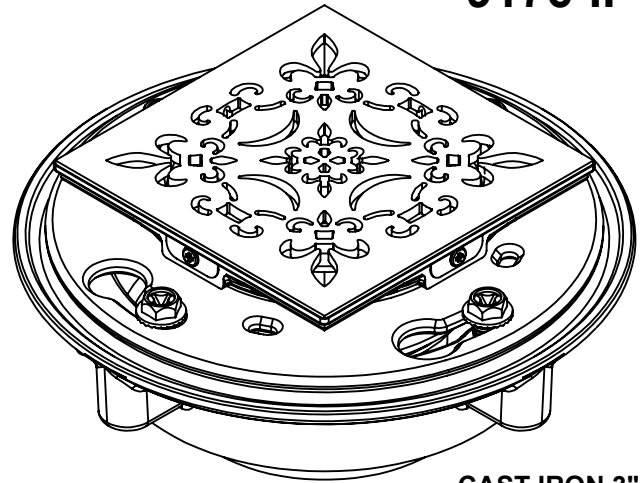
- Shower drain
- Patio/Atrium drains
- Other wetted area floor drains

Features

- Over 30 finishes including 14 PVD finishes
- Solid brass decorative grid with no visible surface screws
- Surface is foot friendly with no sharp edges
- Rigid grid construction - will not dish or bend
- Square design for easy floor design and installation
- Outlet flow rate: 10 gpm (39 Lpm) with 1/4" head of water
- Latex coated cast iron body with reversible weep-hole membrane collar
- Outlet connection: 3" NPT female
- For complete selection, see www.californiafaucets.com

Codes/Standards Applicable

- Specified model meets or exceeds the following:
- ASME A112.18.2/CSA B125.2
- US PAT NO. 8043497



CAST IRON 3" IPS

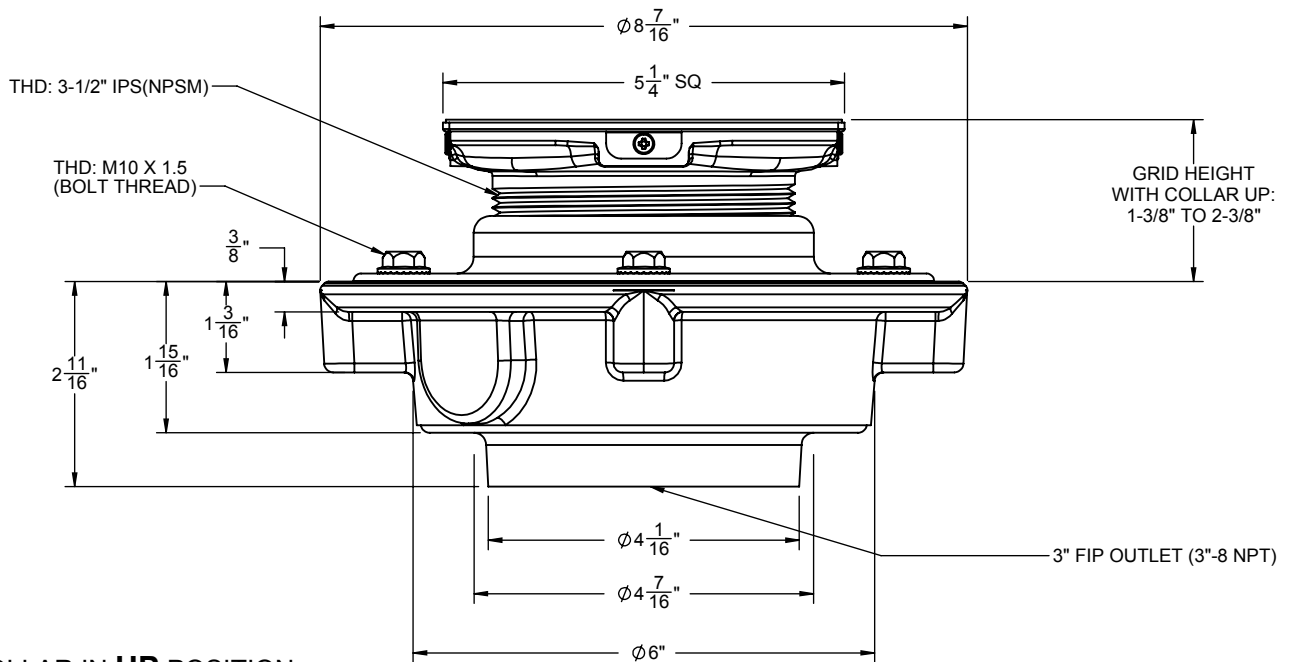


Figure 1. COLLAR IN UP POSITION

Figure 2. COLLAR IN DOWN POSITION

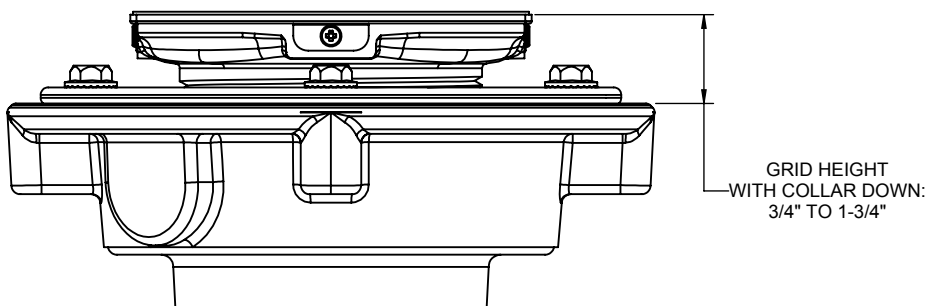
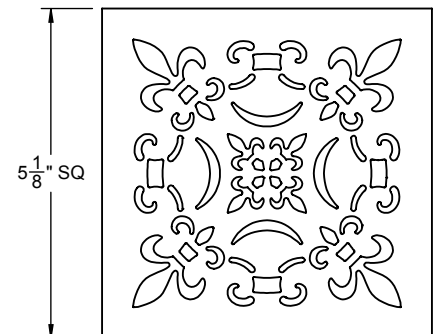


Figure 3. FLEUR DE LIS PATTERN



OPEN AREA = 4.79in²

ALL DIMENSIONS SHOWN TO NEAREST 1/16"