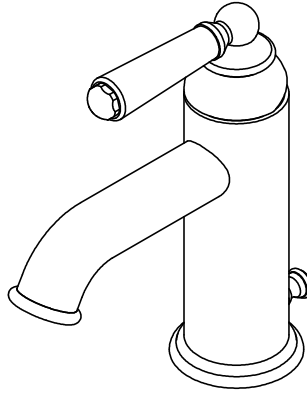




Features

- Over 30 finishes including 11 PVD finishes
- All brass construction
- Single handle operation cartridge with ceramic disc
- Flexible connections for easy installation
- 4-9/16" spout reach
- Flush mount aerator insert
- Maximum flow rate: 1.5 gpm (5.7 L/m)
- See www.calfaucets.com for complete series selection

CF-3301-1

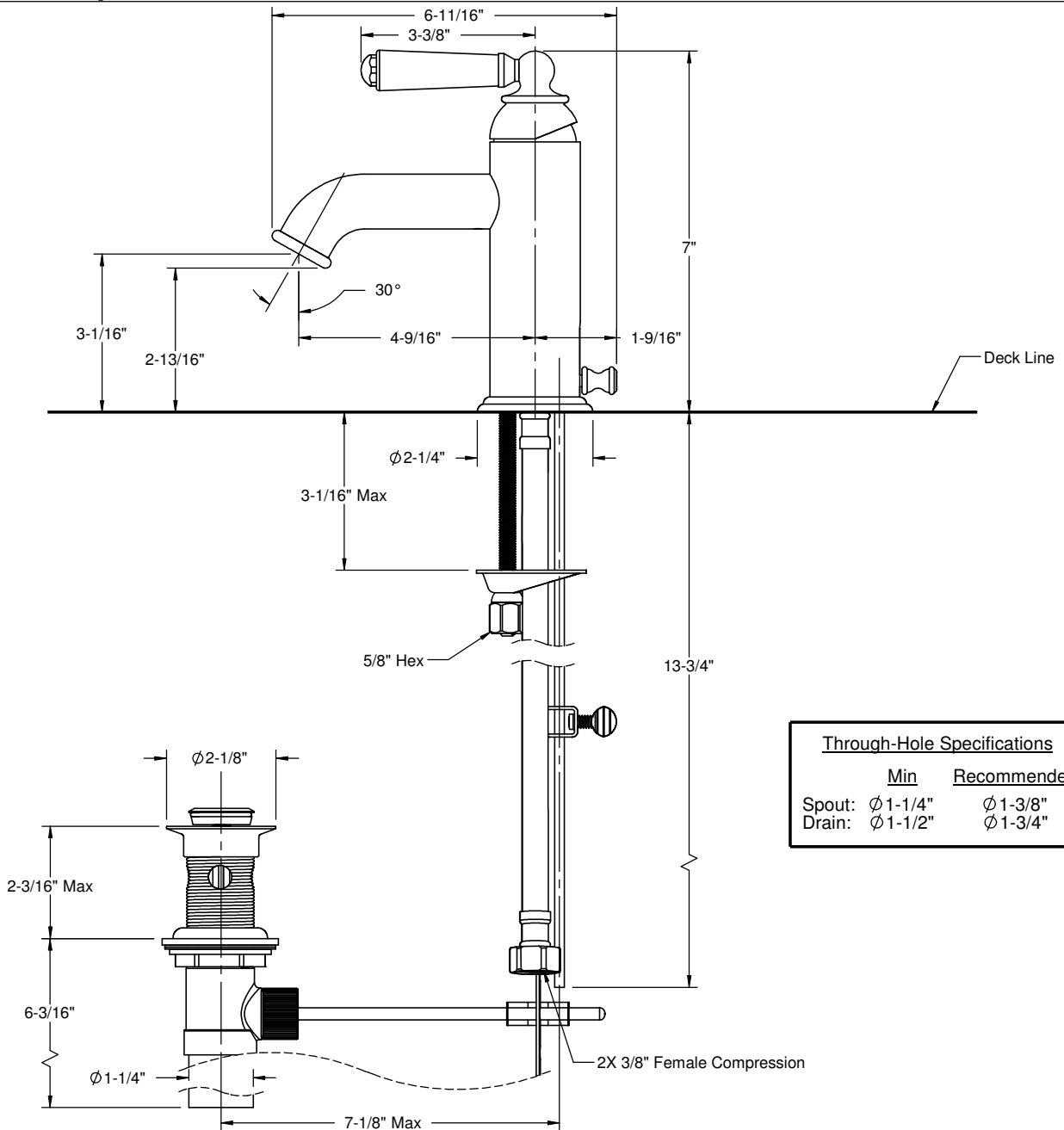


Codes/Standards Applicable

Specified model meets or exceeds the following:

- ASME A112.18.1-2005/CSA B125.1-05
- NSF 61
- ADA
- CA & VT Lead Plumbing Law

CF-3301-1-HXX (XX = Optional Series Handle)

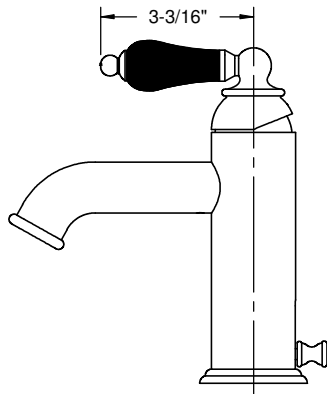
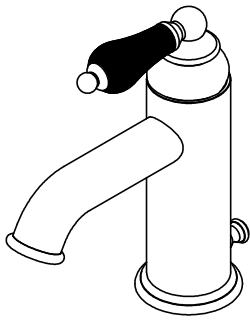


Through-Hole Specifications	
Min	Recommended
Spout: \varnothing 1-1/4"	\varnothing 1-3/8"
Drain: \varnothing 1-1/2"	\varnothing 1-3/4"

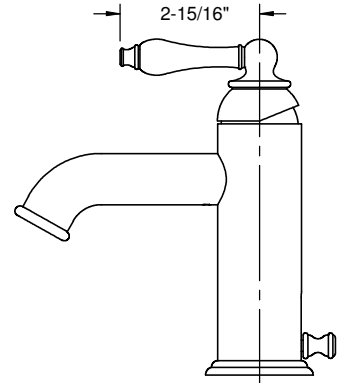
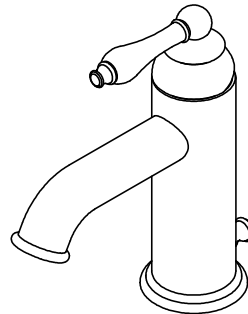
Dimensions Shown to Nearest 1/16"



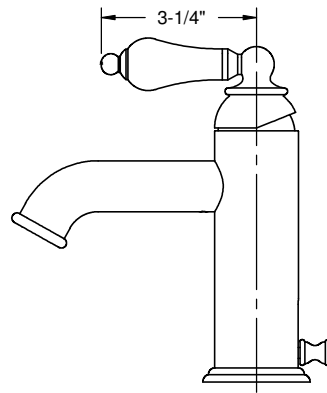
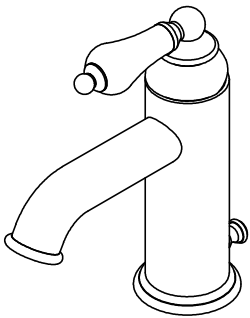
CF-3301-1-H40



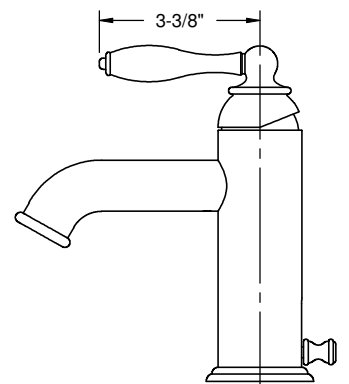
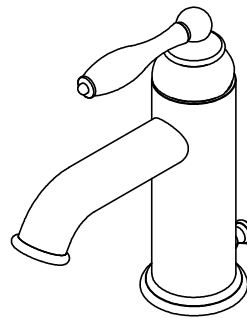
CF-3301-1-H42



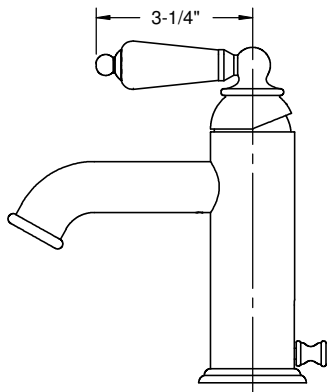
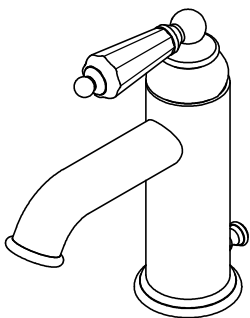
CF-3301-1-H55



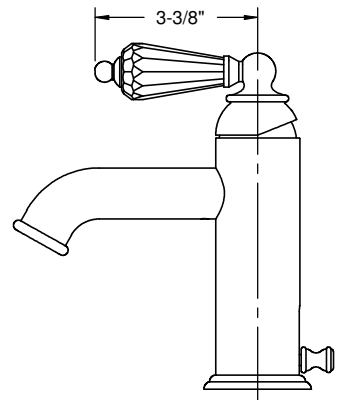
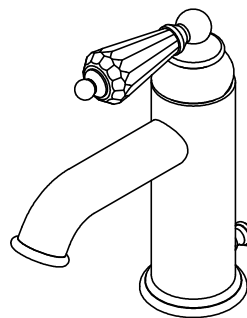
CF-3301-1-H64



CF-3301-1-H68



CF-3301-1-CLEV



Dimensions Shown to Nearest 1/16"