



Features

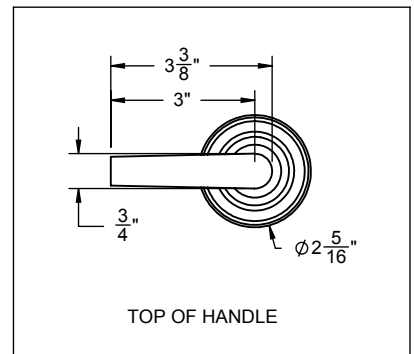
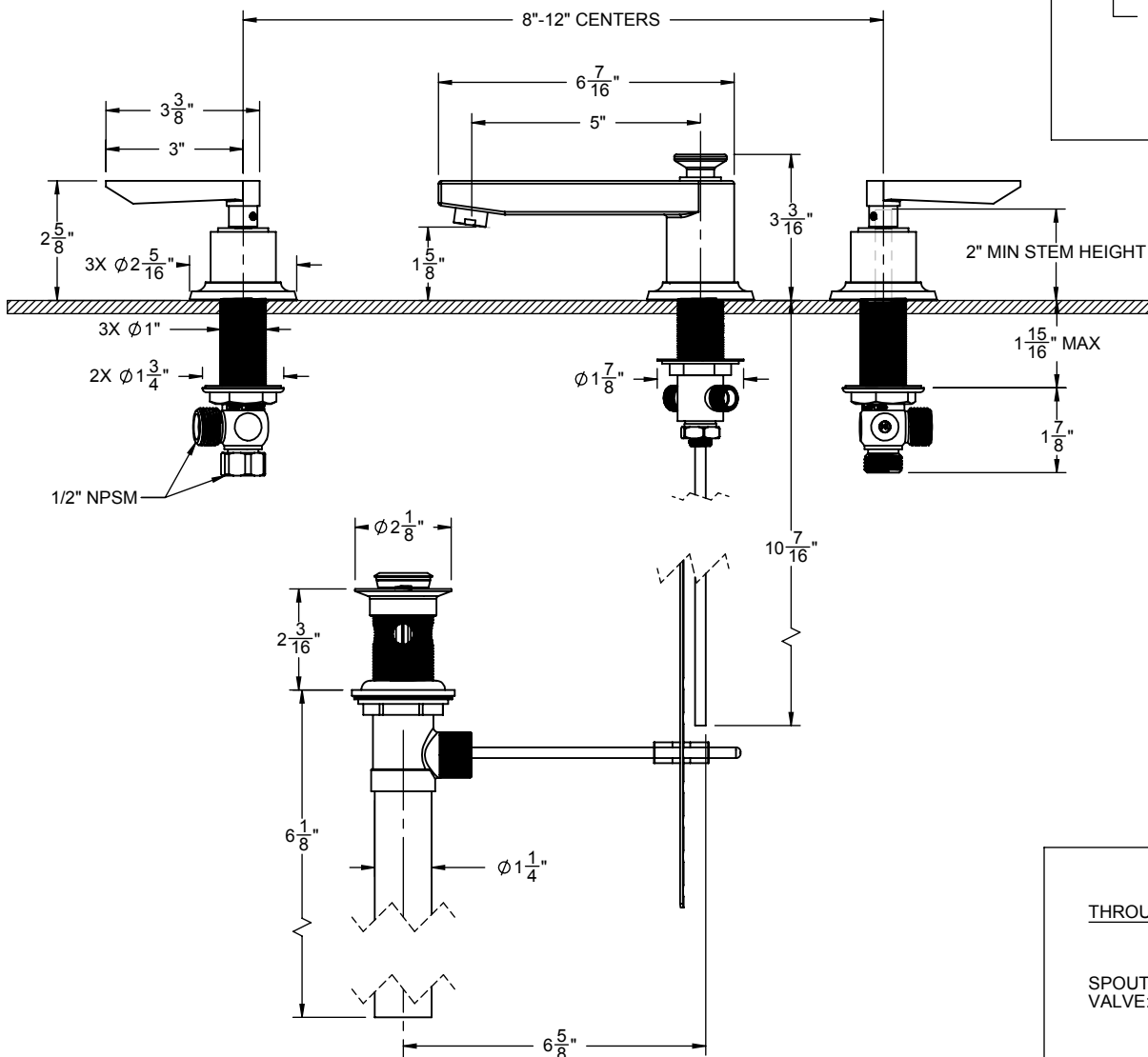
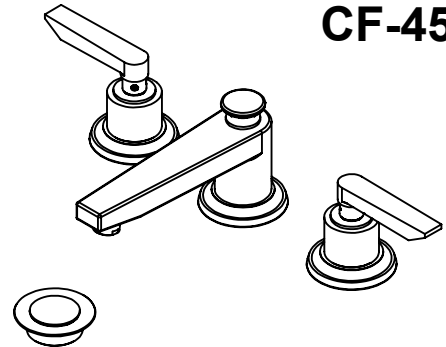
- Over 30 finishes including 14 PVD finishes
- Solid brass construction
- Flexible connection for easy installation
- Maximum flow rate: 1.5 gpm (5.7 L/m)
- Include lift rod style pop-up with overflow drain
- For additional product offerings, see www.californiafaucets.com

Codes/Standards Applicable

Meets or exceeds the following at date of manufacture:

- ASME A112.18.1/CSA B125.1
- NSF 61 and CA/VT lead plumbing law
- ADA (with lever handles)

CF-4502



THROUGH-HOLE SPECIFICATION		
	MIN	RECOMMENDED
SPOUT:	Ø1"	Ø1-3/8"
VALVE:	Ø1"	Ø1-3/8"

ALL DIMENSIONS SHOWN TO NEAREST 1/16"