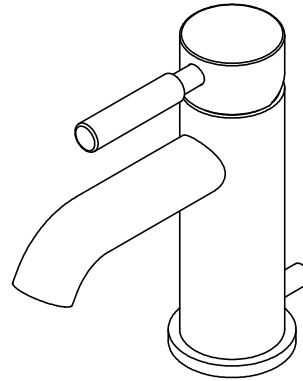




### CF-6201-1

#### Features

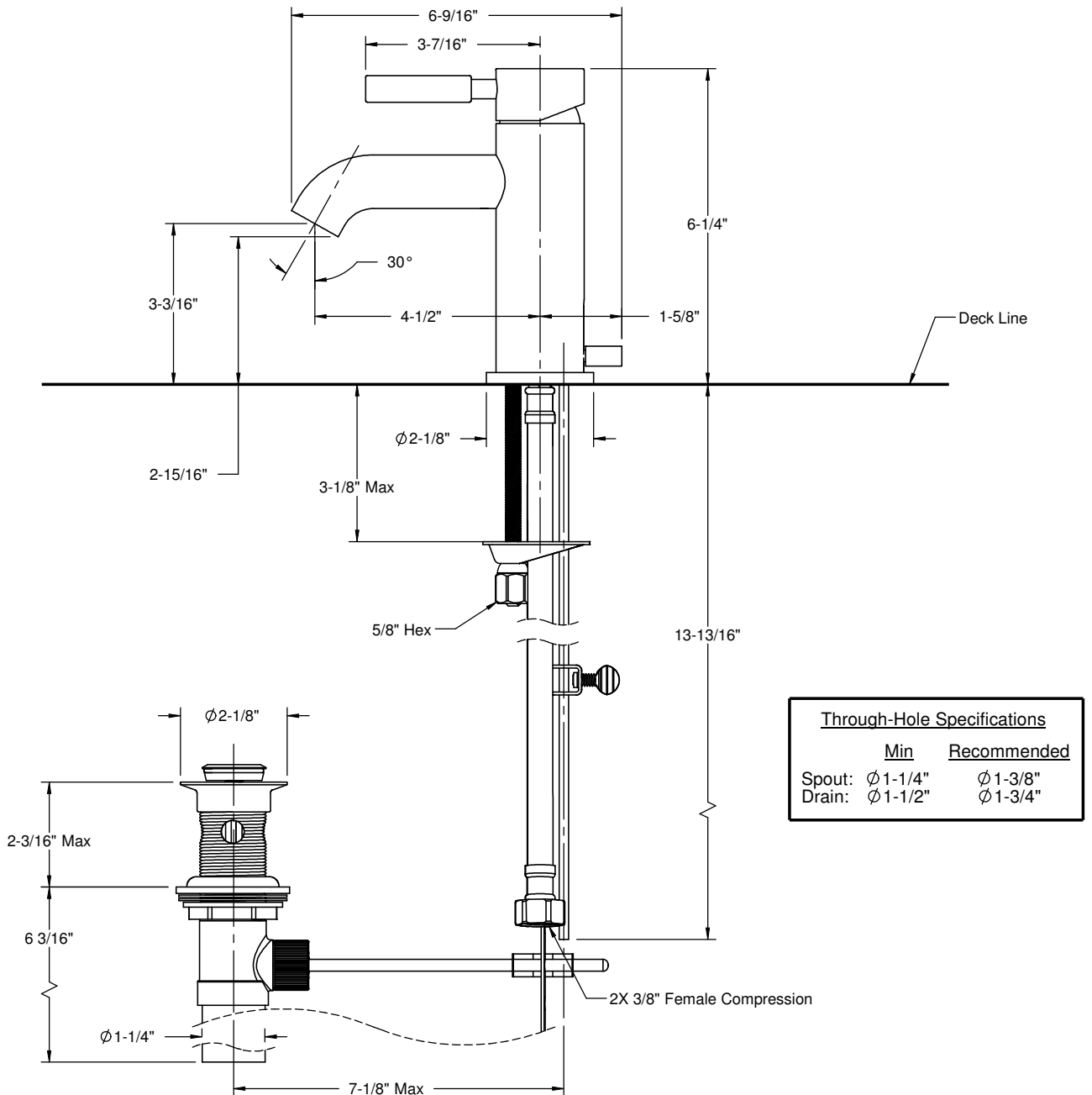
- Over 30 finishes including 11 PVD finishes
- All brass construction
- Single handle operation cartridge with ceramic disc
- Flexible connections for easy installation
- 4-1/2" spout reach
- Flush mount aerator insert
- Maximum flow rate: 1.5 gpm (5.7 L/m)
- See [www.calfaucets.com](http://www.calfaucets.com) for complete series selection



#### Codes/Standards Applicable

Specified model meets or exceeds the following:

- ASME A112.18.1-2005/CSA B125.1-05
- NSF 61
- ADA
- CA & VT Lead Plumbing Law



Through-Hole Specifications		
	Min	Recommended
Spout:	Ø 1-1/4"	Ø 1-3/8"
Drain:	Ø 1-1/2"	Ø 1-3/4"

Dimensions Shown to Nearest 1/16"