



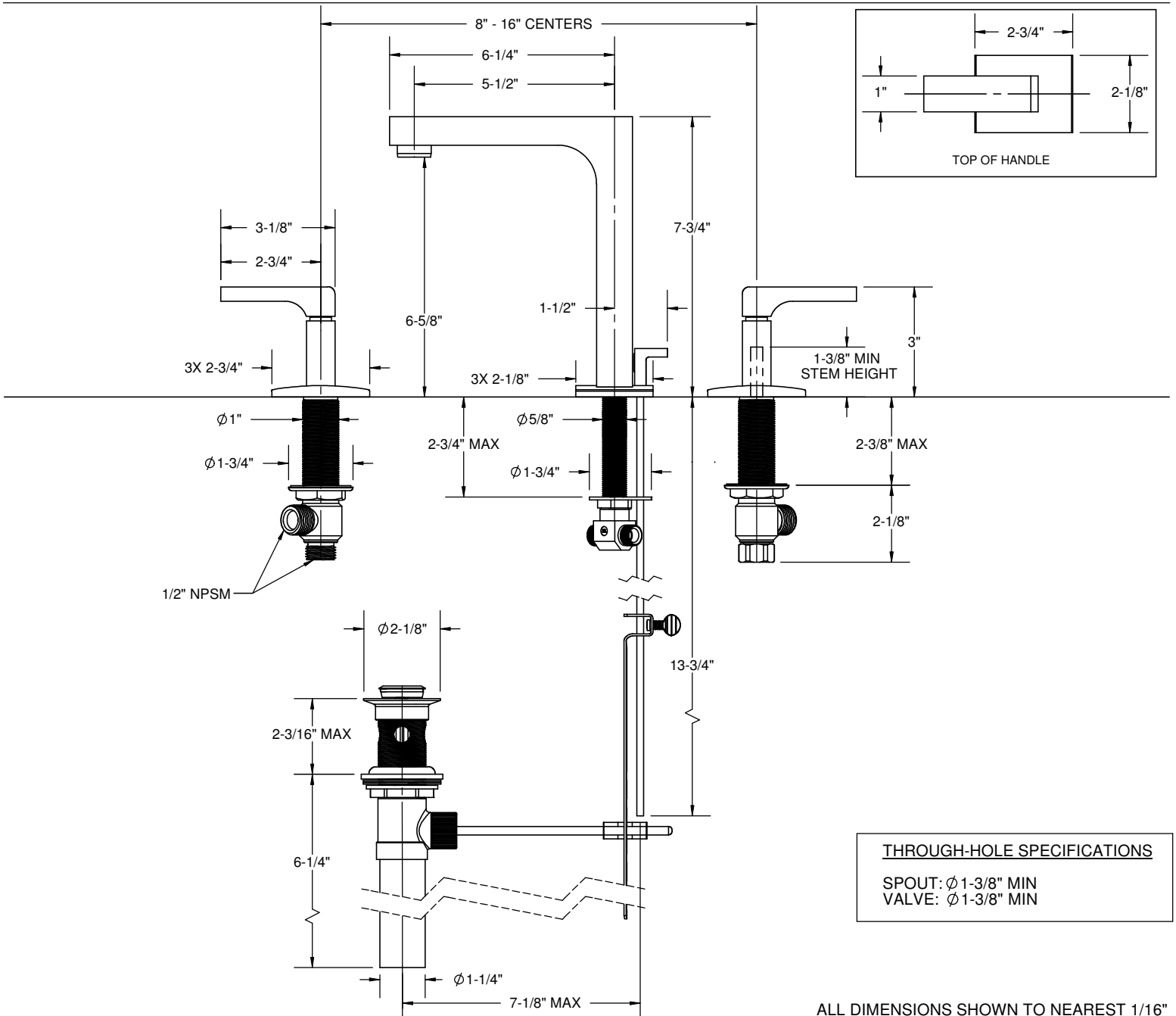
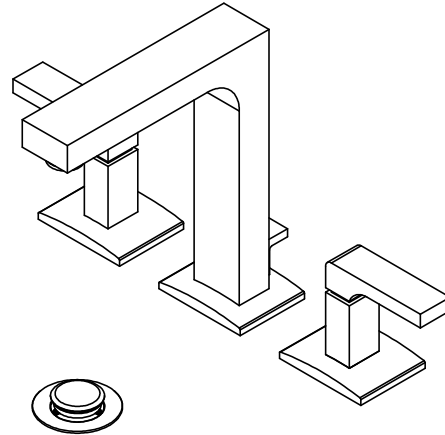
Features

- Over 30 finishes including 12 PVD finishes
- All brass construction
- 1/4 turn ceramic disc valves
- Flexible connections for easy installation
- 5-1/2" spout reach
- 1.5 gpm (8.3 L/m) maximum flow rate
- See [www.calfaucets.com](http://www.calfaucets.com) for additional product offering

Codes/Standards Applicable

Specified model meets or exceeds the following:

- ASME A112.18.1-2005/CSA B125.1-05
- NSF 61 and CA / VT lead plumbing law
- ADA (with lever handles)



ALL DIMENSIONS SHOWN TO NEAREST 1/16"