



California Faucets®

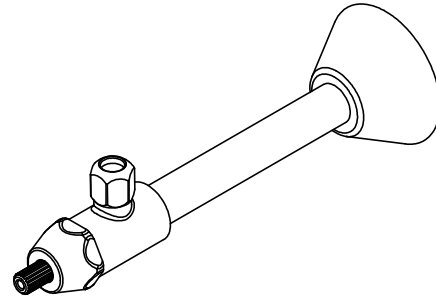
# Deluxe Angle Stops

Deluxe Angle Stop with 5" Extension

## Features

- Over 30 finishes including 11 PVD finishes
- All solid brass construction
- Quarter Turn Ceramic Disc Cartridge
- 5/8" (1/2" Nominal) copper sweat inlet
- 3/8" compression outlet
- Handles to match all California Faucets series
- See [www.calfaucets.com](http://www.calfaucets.com) for complete selection

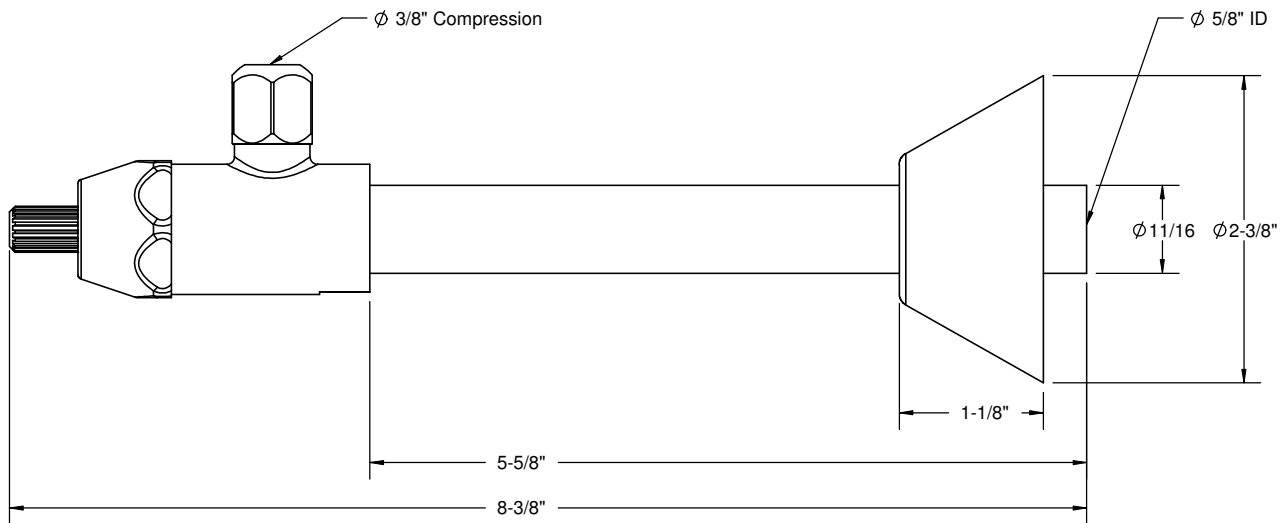
**CF-9005-XX**



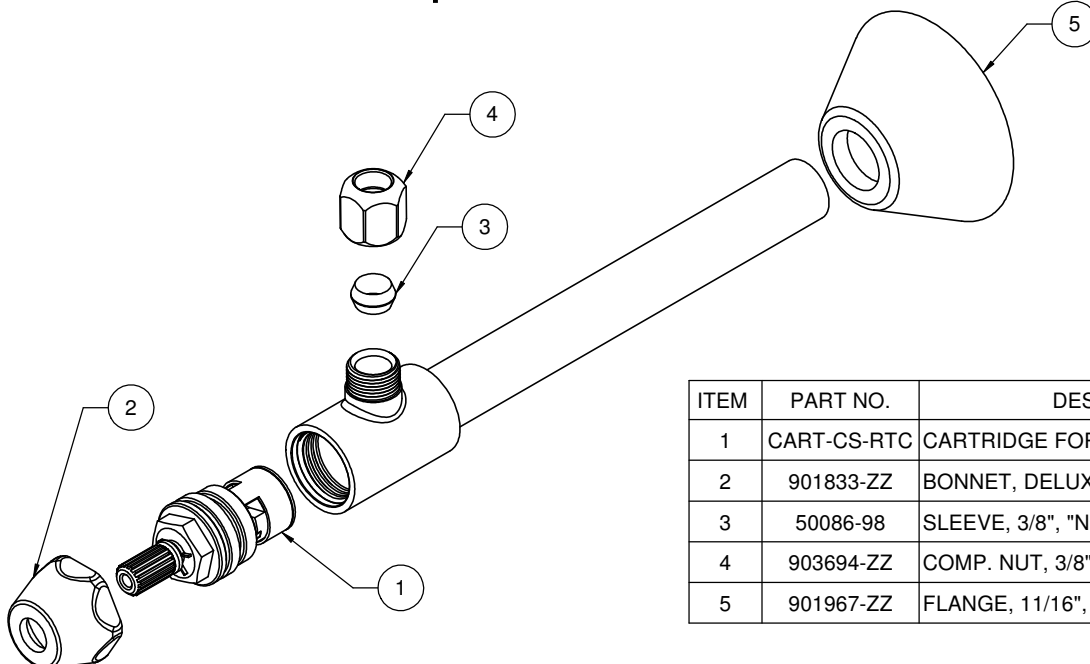
## Codes/Standards Applicable

- Specified model meets or exceeds the following:
- ASME A112.18.1-2005/CSA B125.1-05

**XX = Series Handle**



## Replacement Parts



ITEM	PART NO.	DESCRIPTION	QTY.
1	CART-CS-RTC	CARTRIDGE FOR C/S & MW/S-HOT "NL"	1
2	901833-ZZ	BONNET, DELUXE ANGLE STOP	1
3	50086-98	SLEEVE, 3/8", "NL"	1
4	903694-ZZ	COMP. NUT, 3/8", DLX STOP	1
5	901967-ZZ	FLANGE, 11/16", SURE, GRIP, BELL	1

DIMENSIONS SHOWN TO NEAREST 1/16"