



California Faucets®

# Bel Canto™

## SINGLE HOLE LAVATORY FAUCET

### Features

- 4-3/4" spout center to center
- Single handle operation cartridge with ceramic disk
- Flexible braided hoses for ease of installation
- $\phi$  1-1/4" all brass touch style pop up drain assembly
- 1.2 gpm (4.5 L/m) max flow rate
- All brass construction
- Over 30 finishes including 15 PVD finishes

### Codes/Standards Applicable

Product meets or exceeds the following:

- ASME A112.18.1/CSA B125.1
- NSF/ANSI 61 & NSF/ANSI 372
- CEC / DOE
- EPA WaterSense High Efficiency Lavatory Faucet
- Commonwealth of MA
- ADA compliant

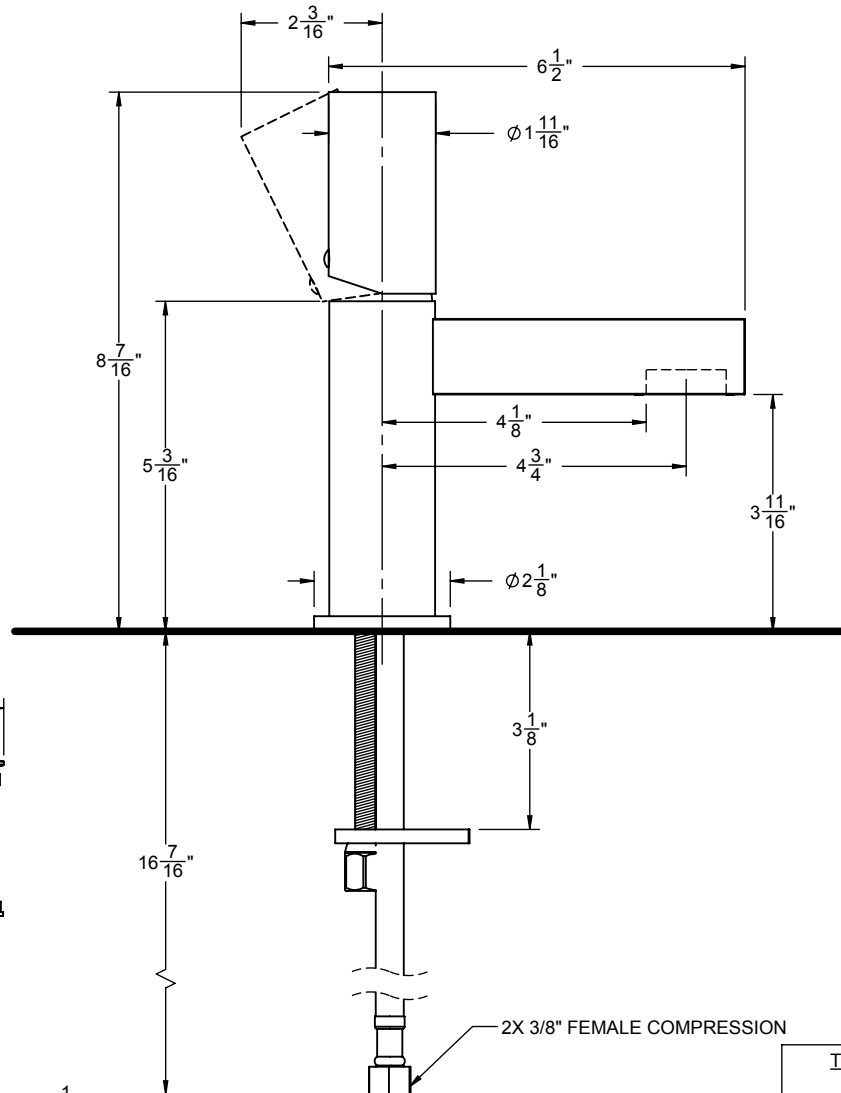
CF-E301CY-1  
CF-E301BCY-1



CF-E301BCY-1 SHOWN



CF-E301CY-1 SHOWN



#### THROUGH-HOLE SPECIFICATIONS

	MIN	RECOMMENDED
SPOUT:	$\phi$ 1-1/4"	$\phi$ 1-1/2"
DRAIN:	$\phi$ 1-1/2"	$\phi$ 1-3/4"

SPECIFICATIONS SUBJECT TO CHANGE WITHOUT NOTICE

ALL DIMENSIONS SHOWN TO NEAREST 1/16"