



California Faucets®

Bel Canto™

SINGLE HOLE LAVATORY FAUCET

Features

- 8-5/16" spout center to center
- Single handle operation cartridge with ceramic disc
- Flexible braided hoses for ease of installation
- 1.2 gpm (4.5 L/m) max flow rate
- All brass construction
- Over 30 finishes including 15 PVD finishes

Codes/Standards Applicable

Product meets or exceeds the following:

- ASME A112.18.1/CSA B125.1
- NSF/ANSI 61 & NSFANSI 372
- CEC / DOE
- EPA WaterSense High Efficiency Lavatory Faucet
- Commonwealth of MA
- ADA compliant

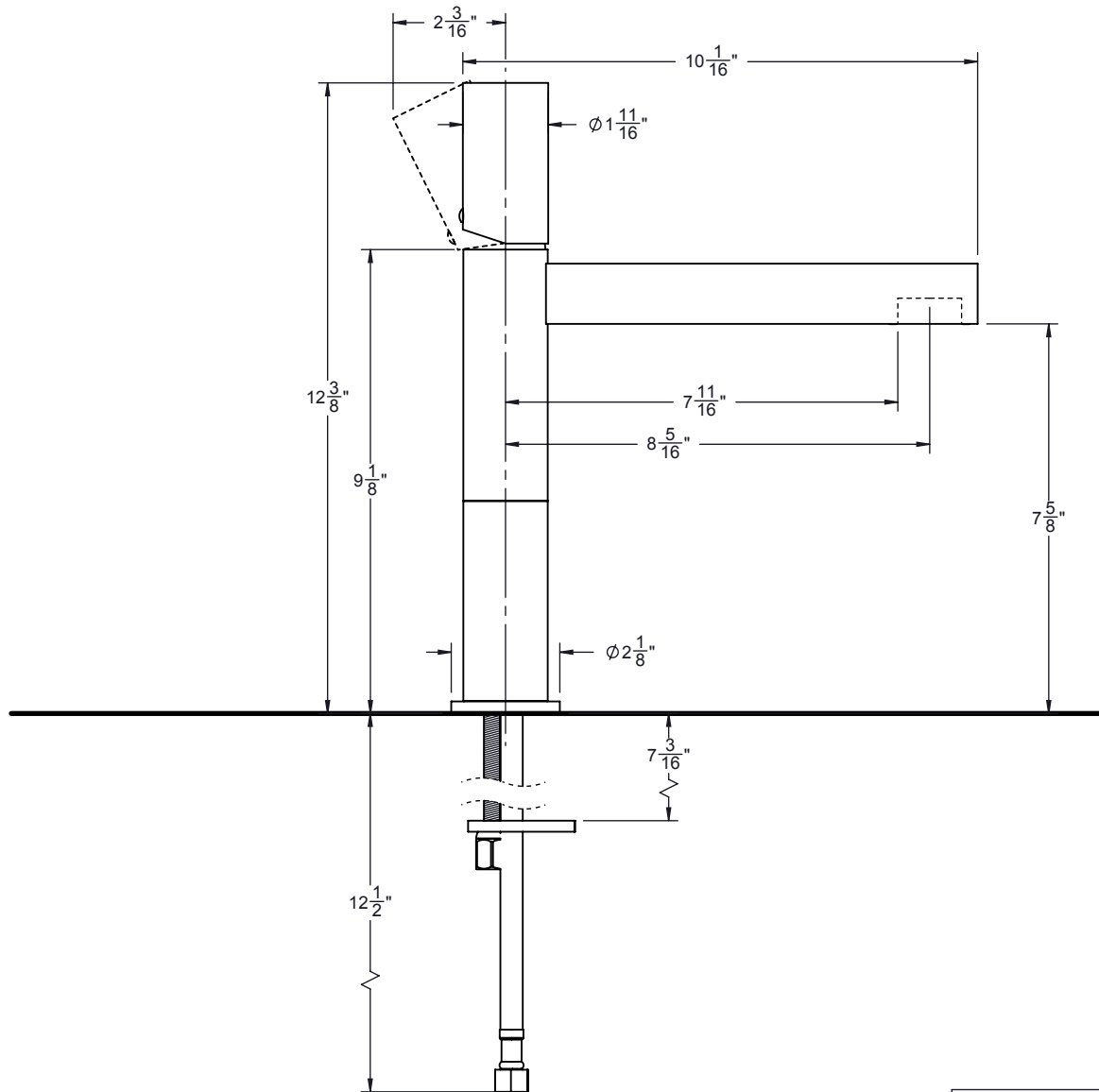
CF-E301CY-2
CF-E301BCY-2



CF-E301BCY-2 SHOWN



CF-E301CY-2 SHOWN



THROUGH-HOLE SPECIFICATIONS

MIN	RECOMMENDED
SPOUT: $\phi 1\text{-}1/4$ "	$\phi 1\text{-}1/2$ "