



### Features

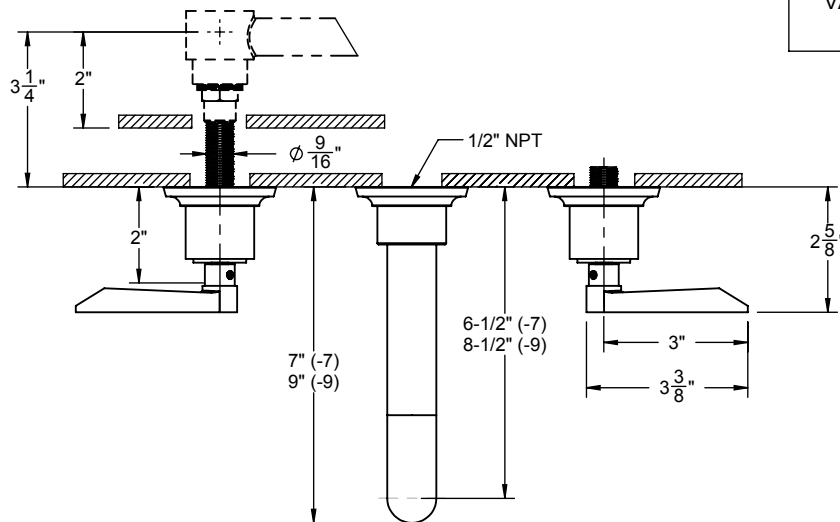
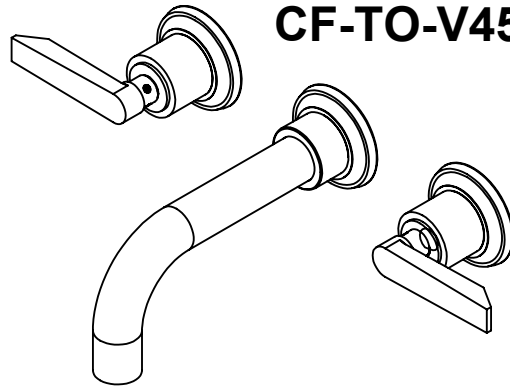
- Over 30 finishes including 14 PVD finishes
- Solid brass construction
- 1/4 turn ceramic disc valves
- Maximum flow rate: 1.5 gpm (5.7 L/m) water saving aerator
- Rough valve (CF-VL-R) sold separately
- For additional product offerings, see [www.californiafaucets.com](http://www.californiafaucets.com)

### Codes/Standards Applicable

Meets or exceeds the following at date of manufacture:

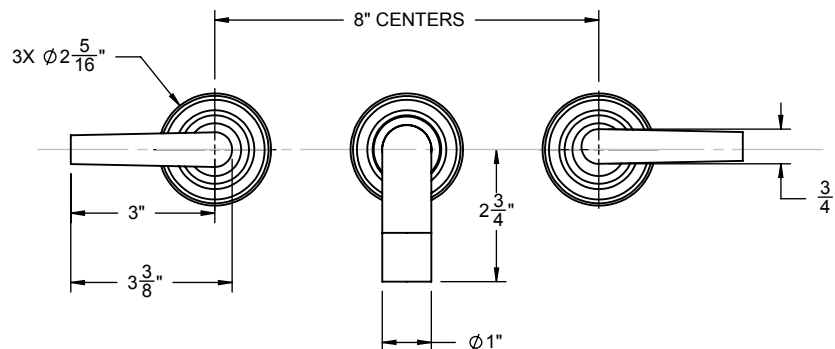
- ASME A112.18.1/CSA B125.1
- NSF 61 and CA/VT lead plumbing law

## CF-TO-V4502-7/9



### THROUGH-HOLE SPECIFICATIONS

|        | MIN           | RECOMENDED    |
|--------|---------------|---------------|
| SPOUT: | $\phi$ 1-1/4" | $\phi$ 1-3/8" |
| VALVE: | $\phi$ 1-1/4" | $\phi$ 1-3/8" |



ALL DIMENSIONS SHOWN TO NEAREST 1/16"