

California Faucets®

Terra Mar™

WALL LAVATORY

Features

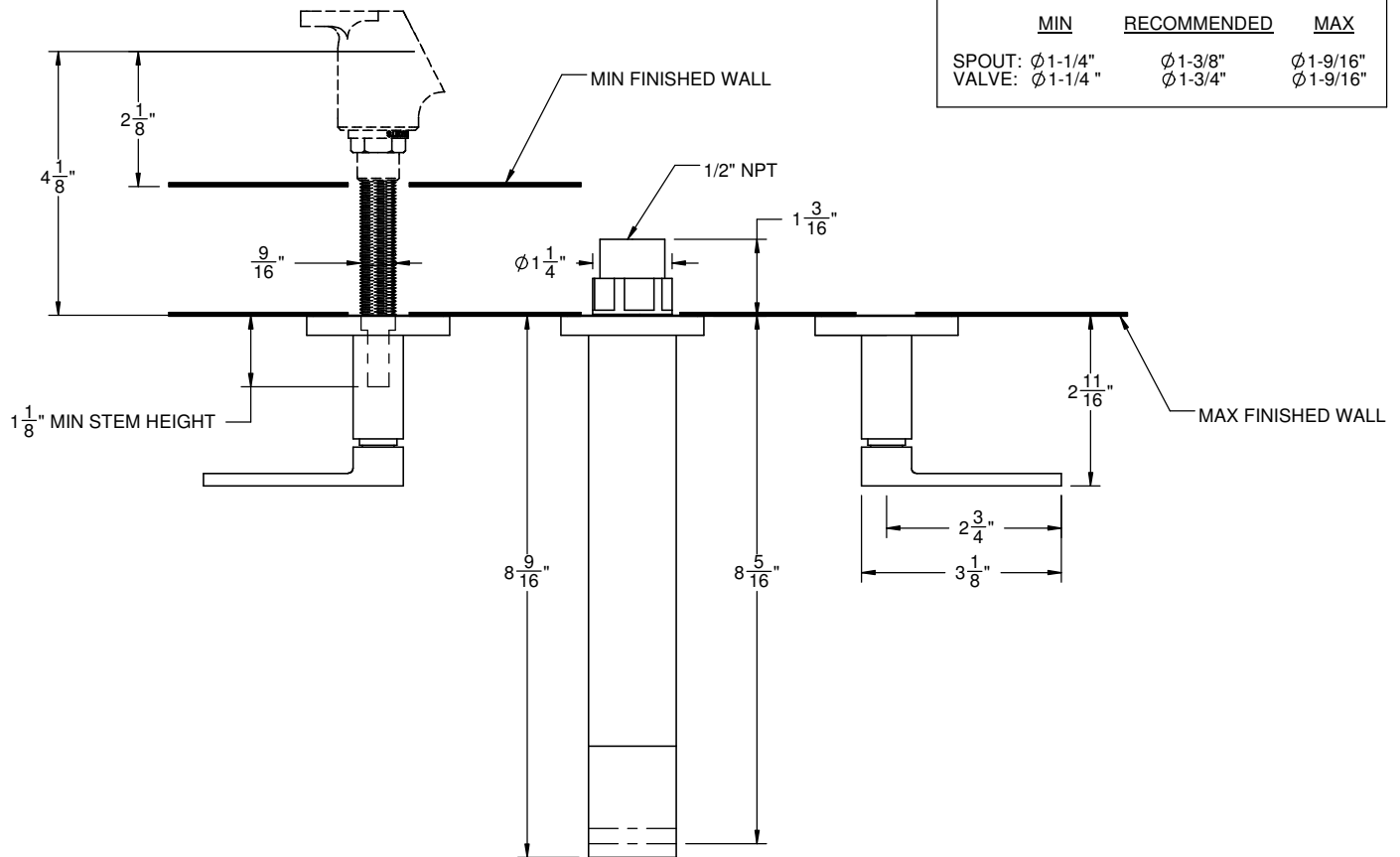
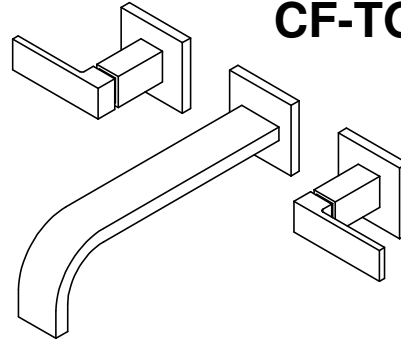
- 8-5/16" spout wall to center
- 1.2 gpm (4.5 L/min) max flow rate
- Rough Valve (CF-VL-R) sold separately
- Solid brass construction
- Over 30 finishes including 15 PVD finishes

Codes/Standards Applicable

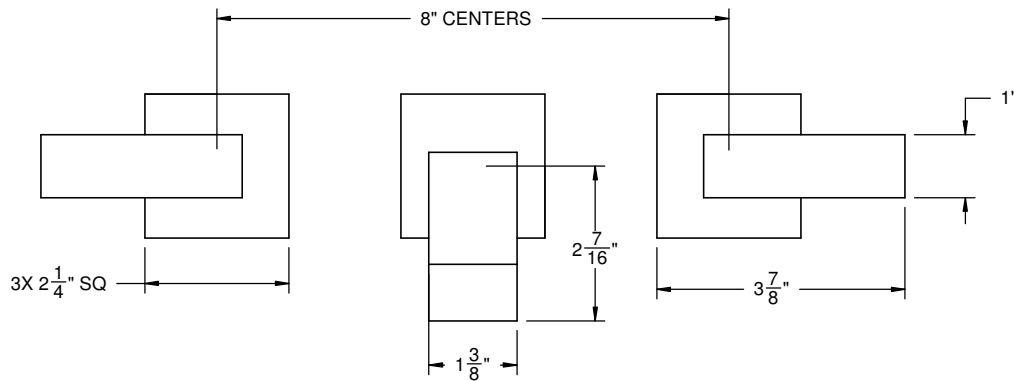
Meets or exceeds the following at date of manufacture:

- ASME A112.18.1/CSA B125.1
- NSF/ANSI 61 & NSF/ANSI 372
- CEC
- ADA compliant

CF-TO-V7802-9



THROUGH-HOLE SPECIFICATIONS		
MIN	RECOMMENDED	MAX
SPOUT: $\varnothing 1\text{-}1/4"$	$\varnothing 1\text{-}3/8"$	$\varnothing 1\text{-}9/16"$
VALVE: $\varnothing 1\text{-}1/4"$	$\varnothing 1\text{-}3/4"$	$\varnothing 1\text{-}9/16"$



ALL DIMENSIONS SHOWN TO NEAREST 1/16"