



California Faucets®

Terra Mar™

WALL LAVATORY

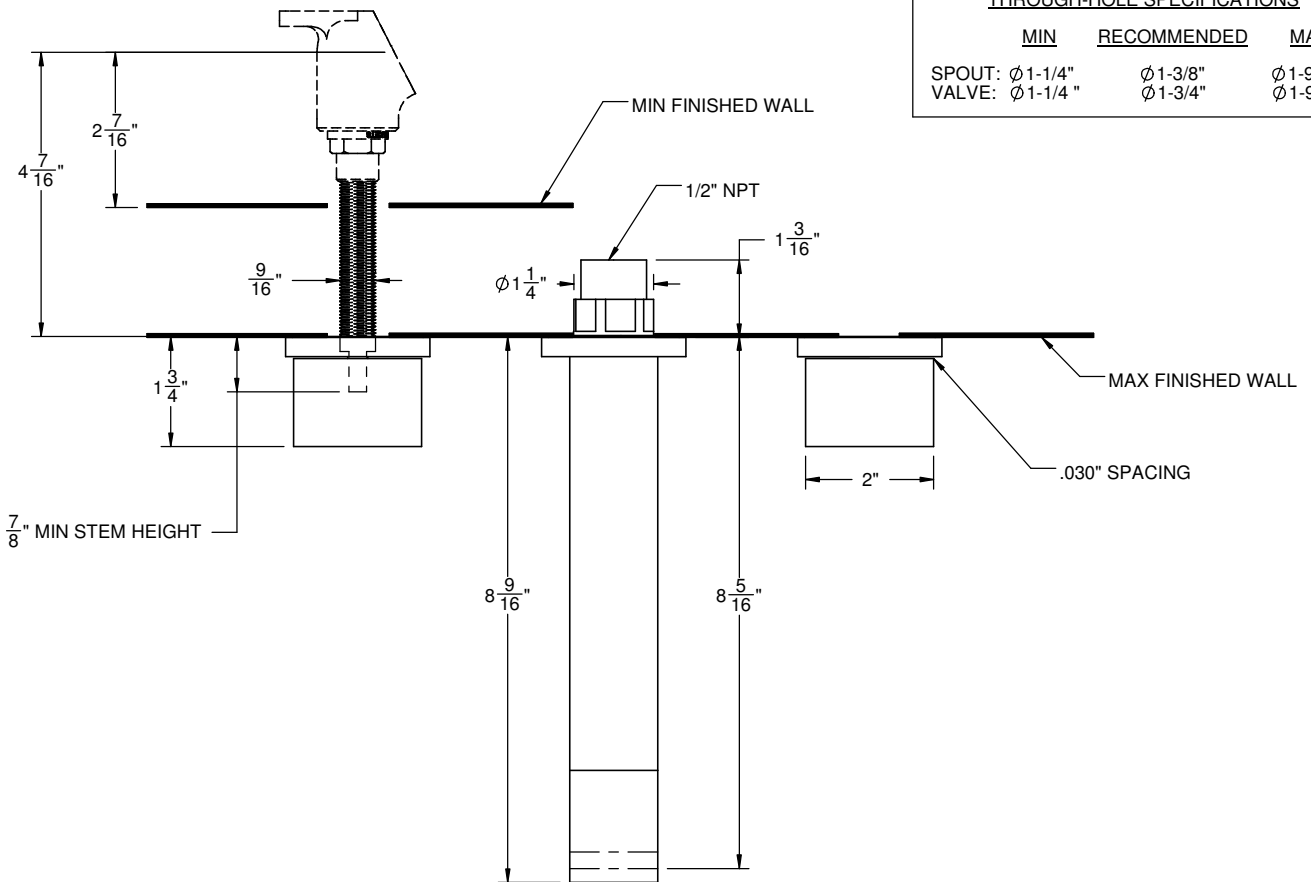
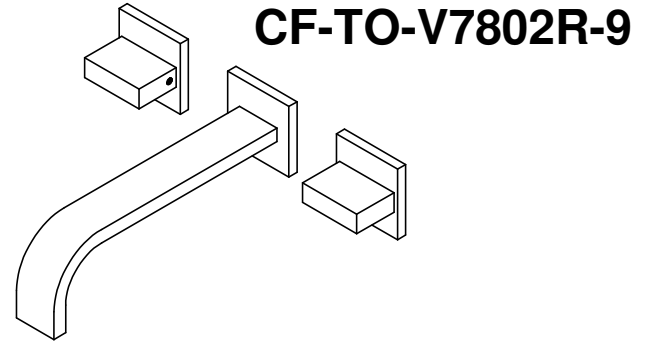
Features

- 8-5/16" spout wall to center
- 1.2 gpm (4.5 L/min) max flow rate
- Rough Valve (CF-VL-R) sold separately
- Solid brass construction
- Over 30 finishes including 15 PVD finishes

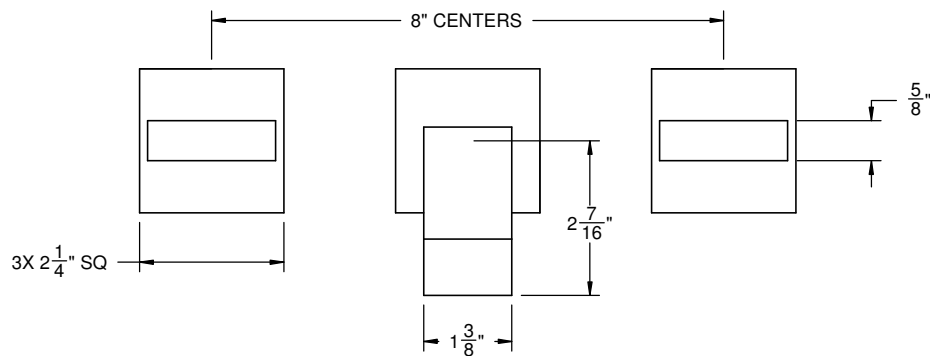
Codes/Standards Applicable

Meets or exceeds the following at date of manufacture:

- ASME A112.18.1/CSA B125.1
- NSF/ANSI 61 & NSF/ANSI 372
- CEC



THROUGH-HOLE SPECIFICATIONS		
MIN	RECOMMENDED	MAX
SPOUT: Ø 1-1/4"	Ø 1-3/8"	Ø 1-9/16"
VALVE: Ø 1-1/4"	Ø 1-3/4"	Ø 1-9/16"



ALL DIMENSIONS SHOWN TO NEAREST 1/16"