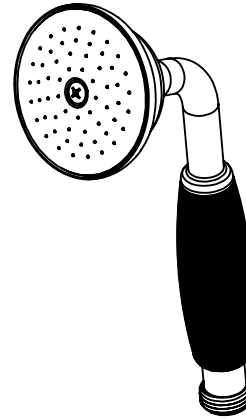




Features

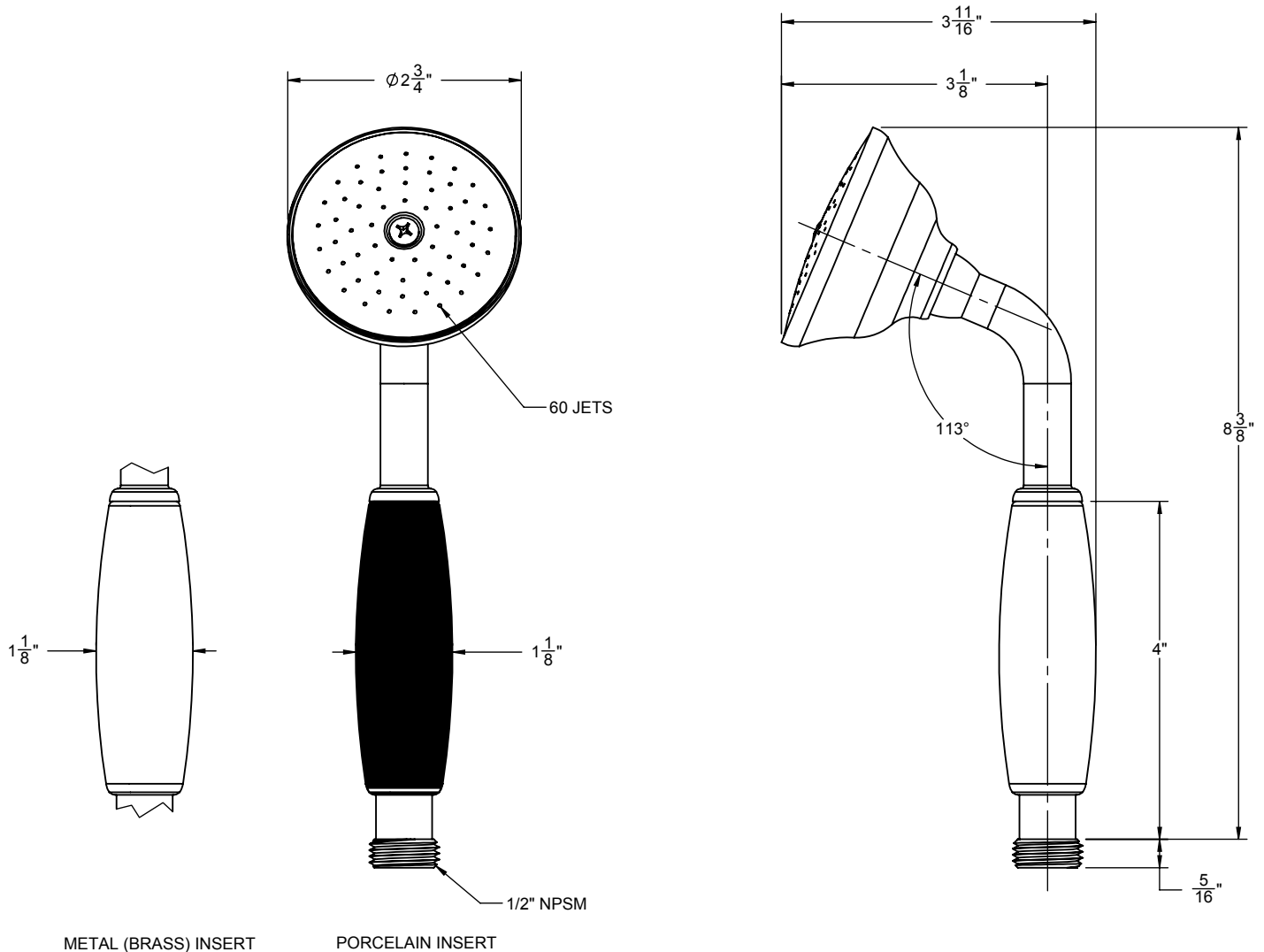
- Over 30 finishes including 14 PVD finishes
- Solid brass construction
- Porcelain insert (HS-13)
- Metal (brass) insert (HS-13M)
- 1/2" MIP inlet
- 2.5 gpm (9.5 Lpm) max flow rate
- Order **WE** for 2.0 gpm (7.6 Lpm) max flow rate



HS-13
WE-HS-13
HS-13M
WE-HS-13M

Codes/Standards Applicable

- Meets or exceeds the following at date of manufacture:
- ASME A112.18.1/CSA B125.1



ALL DIMENSIONS SHOWN TO NEAREST 1/16"